



INSTALLATION INSTRUCTIONS

Dishwasher

Power supply: 120 V
Rated power: 1000 W
Frequency: 60Hz
Capacity: 14 Place Settings



Installer: Be sure to leave these instructions for the consumer's and local inspector's use.

Homeowner: Keep these instructions with your User Manual for future reference.

DISHWASHER SAFETY	3
INSTALLATION REQUIREMENTS	5
Tools and Parts	5
Key Connection Points	7
Location Requirements	7
Drain Requirements	9
Water Supply Requirements	10
Electrical Requirements	10
INSTALLATION INSTRUCTIONS	11
Unpack Dishwasher	11
Check Door Balance	12
Remove Kick Plate	13
Adjust Leveling Legs	13
Install 90° Elbow	14
Prepare Installation Opening	15
Verify Existing Utility Connections	16
When There Are No Existing Utility Connections	17
Install Mounting Brackets	19
Connect Drain Hose to Dishwasher	21
Slide Dishwasher Partially Into Opening	21
Level Dishwasher	22
Connect to Power Supply	23
Connect to Water Supply	26
Connect to House Drain System	27
Secure Dishwasher	31
Pre-Test Checklist	33
Test Dishwasher	34
Replace the Kick Plate	35

DISHWASHER SAFETY

YOUR SAFETY AND THE SAFETY OF OTHERS ARE VERY IMPORTANT

To prevent injury to the user or other people and property damage, the instructions shown here must be followed. Incorrect operation due to ignoring of instructions may cause harm or damage, including death.

The level of risk is shown by the following indications.



This symbol indicates the possibility of death or serious injury.



This symbol indicates the possibility of injury or damage to property.



This symbol indicates the possibility of dangerous voltage constituting a risk of electrical shock is present that could result in death or serious injury



WARNING/GROUNDING INSTRUCTIONS

Improper connection of the equipment-grounding conductor can result in a risk of electric shock. Check with a qualified electrician or service representative if you are in doubt whether the appliance is properly grounded. Do not modify the plug provided with the appliance. If the plug will not fit the outlet, have a proper outlet installed by a qualified electrician.

For a grounded, cord-connected appliance:

This appliance must be grounded. In the event of a malfunction or breakdown, grounding will reduce the risk of electric shock by providing a path of least resistance for electric current. This appliance is equipped with a cord having an equipment-grounding conductor and a grounding plug. The plug must be plugged into an appropriate outlet that is installed and grounded in accordance with all local codes and ordinances.

For a permanently connected appliance:

This appliance must be connected to a grounded metal, permanent wiring system, or an equipment-grounding conductor must be run with the circuit conductors and connected to the equipment-grounding terminal or lead on the appliance.

 **WARNING**



Tip Over Hazard

- Do not use dishwasher until completely installed.
- Do not push down on open door.
- Doing so can result in serious injury or cuts.

 **WARNING**

Suffocation Hazard

- Before you throw away your old appliance, remove the door or lid so that children cannot hide or get trapped inside your old appliance.
- Failure to follow these instructions can result in death or brain damage.

 **WARNING**

Electrical Shock Hazard



To reduce the risk of electric shock, fire or injury to persons:

- The installer must ensure that the dishwasher is completely enclosed at the time of installation.
- Care shall be exercised when the dishwasher is installed or removed to reduce the likelihood of damage to the power cord.

State of California Proposition 65 Warnings:



WARNING: Cancer and Reproductive Harm
-www.P65Warnings.ca.gov.

INSTALLATION REQUIREMENTS

TOOLS AND PARTS

Gather the required tools and parts before starting installation.

PARTS SUPPLIED



Flat-head Wood
Screws (4)



Top-mounting Clips (2)

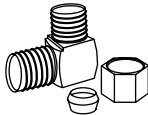


Screw-type Hose Clamp



Drain Hose

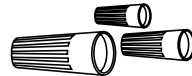
PARTS NEEDED (NOT PROVIDED)



Ferrule, Compression
Nut and 90° Elbow
with $\frac{3}{8}$ " N.P.T. external
threads on one end.
(The other end must fit
your water supply line).



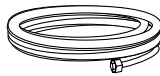
Thread Seal Tape



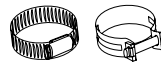
UL Listed Wire Nuts (3)



Power Supply Cord Kit
#BK500 or
Electric Cable (Optional)



Copper Tubing Water
Line ($\frac{3}{8}$ " min.)



Hose Clamps



Strain Relief

TOOLS NEEDED



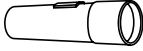
Phillips-head
Screwdriver



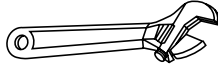
5/16" and 1/4" Nutdriver



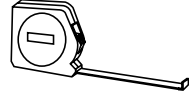
Level



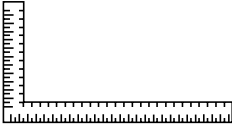
Flashlight



6" Adjustable Wrench



Measuring Tape



Carpenter's Square



Safety Glasses



Bucket



Gloves



Flat-bladed
Screwdriver

NEW INSTALLATIONS (ONLY)

Parts Needed



Hand Shut-off Valve



Waste Tee
(house plumbing, if
applicable)

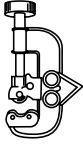


Air Gap for drain hose
(if required)

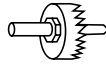


Coupler (extending
drain line, if applicable)

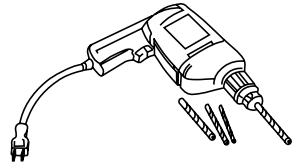
Tools Needed



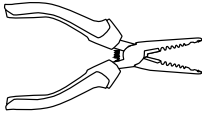
Tubing Cutter



Hole Saw Set



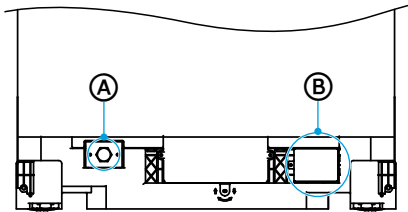
Drill and Bits



Wire Stripper

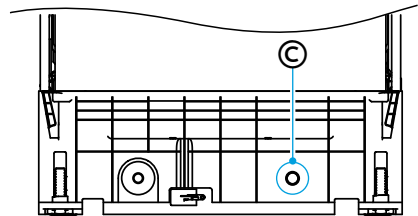
KEY CONNECTION POINTS

Front



- A** Water Connection
- B** Electrical Junction Box

Back



- C** Drain Hose Connection

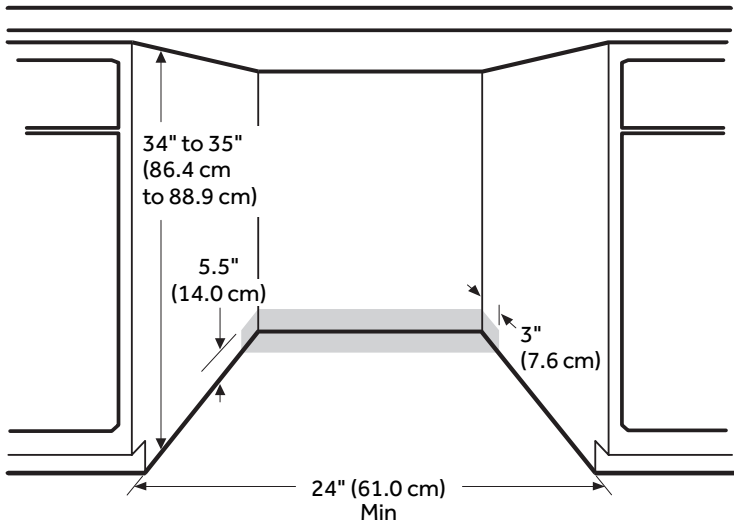
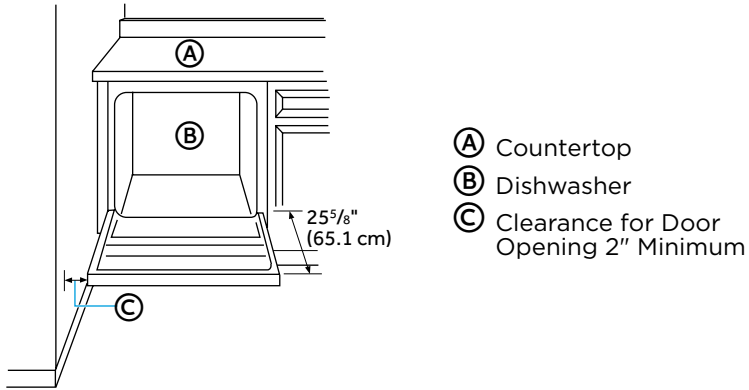
LOCATION REQUIREMENTS

IMPORTANT:

- Do not run drain lines, water lines or electrical wiring where they can interfere with or contact dishwasher motors or legs.
- The location where the dishwasher will be installed must provide clearance between motors and flooring. Motors should not touch the floor.
- The opening must have a level floor. (If floor at front of opening is not level with floor at rear of opening, shims may be needed to level dishwasher).
- Do not install dishwasher over carpeted flooring.
- The dishwasher must be fully enclosed on the top, sides and back and must not support any part of the enclosure.
- The dishwasher must be installed so that the drain hose is no more than 10 ft in length for proper drainage.

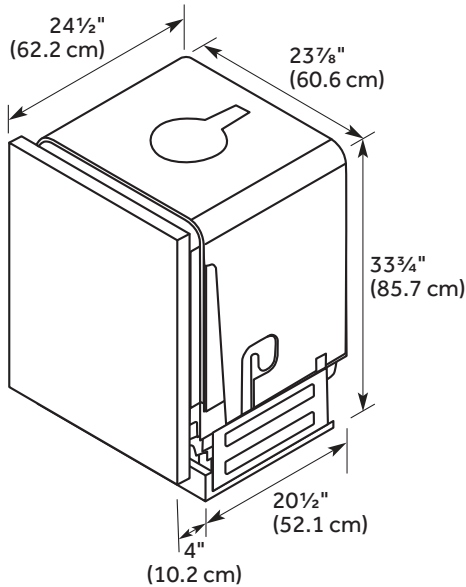
OPENING DIMENSIONS

- The rough cabinet opening must be at least 24" (61 cm) wide and a maximum of 35" (88.9 cm) in height, and provide easy access to water, electricity and a drain.
- When installed in a corner location, a 2" (5.1 cm) minimum clearance is required between the side of the dishwasher and the adjacent wall, cabinet or other appliance.
- There must be a minimum clearance of 25 $\frac{5}{8}$ " (65.1 cm) in front of the dishwasher to allow the door to fully open.



* Make sure water line, wires and drain hose are within the shaded area.

PRODUCT DIMENSIONS



DRAIN REQUIREMENTS

Follow local codes and ordinances.

DRAIN HOSE

Use the new drain hose supplied with your dishwasher. If the supplied hose is not long enough, use a new drain hose with a maximum length of 10 ft (3.05 m) that meets all current AHAM/IAPMO test standards.

The drain hose should:

- Be resistant to heat and detergent
- Have an inside diameter (I.D.) of 3/8" (1.58 cm) or 7/8" (2.2 cm)
- Include a coupler to connect the two hose ends (secure the connection with two clamps)

Do NOT connect drain hoses from other appliances to the dishwasher drain hose.

Drain Hose Routing

The drain hose may pass through the same hole as the wiring and hot water line, or you can cut an additional 1 1/2" (3.8 cm) diameter hole in the cabinet wall to admit the drain hose.

NOTE: The hole must be smooth with no sharp edges.

DRAIN CONNECTION HEIGHT

The drain connection method depends on the height of the drain hose connection.

IMPORTANT: Failure to connect the drain hose at a height of 18" with air gap (not provided) OR to create a drain loop with a minimum height of 32" (81.3 cm) will result in improper draining of the dishwasher.

WATER SUPPLY REQUIREMENTS

- Water pressure from the hot water supply line must be between 20-120 psi (138-862 kPa).
- Water heater that is adjusted to a water temperature of 120°F to 150°F (49°C to 65.5°C).
- A 90° elbow is required to be attached to the water valve, prior to the connection of the water line.
- A 3/8" min. diameter copper tubing water line extending at least 24" (61 cm) from the rear wall, and routed to connect to the front left-hand side of the dishwasher.
- A hand shut-off valve in an accessible location, such as under the sink (optional, but strongly recommended).

ELECTRICAL REQUIREMENTS

WARNING



Electrical Shock Hazard

- Installation and service must be performed by a qualified installer or service agency.
- Always disconnect the power before servicing this unit.
- This appliance must be properly grounded.
- Failure to do so could result in death, fire, or electrical shock.

IMPORTANT:

- The dishwasher must be supplied with 120 volt, 60 Hz., and connected to a dedicated, properly grounded branch circuit, protected by a 15 or 20 ampere circuit breaker or time delay fuse.
- Maximum of two field wiring supply conductors (12 AWG Maximum) plus one grounding conductor are permitted in the terminal box.
- Use Only copper wire.
- Wiring must be 2-wire with ground.
- Use a UL Listed/CSA Approved metallic strain relief.
- Be sure that the electrical connection and wire size are adequate and in conformance with the National Electrical Code, ANSI/NFPA No. 70-latest edition and all local codes and ordinances.
- If the electrical supply does not meet the above requirements, call a licensed, qualified electrician before proceeding.

Grounding Instructions:

- The dishwasher must be connected to a grounded metal, permanent wiring system, or an equipment grounding conductor must be run with the circuit conductors and be connected to the equipment grounding terminal or lead on the dishwasher.

Power Cord Connections:

- Use a power cord with connections that comply with the National Electrical Code, Section 422 and/or local codes and ordinances.
- Recommended cord length is 54" min. and 64" max.
- A power cord kit #BK500 is available for purchase from an authorized parts dealer.

Direct Wire Connections:

- Use flexible, armored or nonmetallic sheathed, copper wire with grounding wire that meets the wiring requirements for your local codes and ordinances.

INSTALLATION INSTRUCTIONS

IMPORTANT:

- This appliance should be installed only by a qualified Installer, plumber or technician and in accordance with the manufacturer's installation instructions, electrical and plumbing national and local codes and ordinances.
- The dishwasher must be installed to allow for future removal from the enclosure if service is required.
- Each dishwasher is tested at the factory and may contain some residual water in the tub as a result of the test.

UNPACK DISHWASHER

IMPORTANT: If you received a damaged dishwasher, you should immediately contact Midea Customer Service.

 **WARNING****Suffocation Hazard**

- To avoid danger of suffocation, keep plastic bag and other packing material away from babies and children. Do not use this bag in cribs, carriages and playpens. The plastic bag could block nose and mouth and prevent breathing. This bag is not a toy.
- Failure to follow these instructions can result in death or brain damage.



WARNING

Suffocation Hazard

- Before you throw away your old appliance, remove the door or lid so that children cannot hide or get trapped inside your old appliance.
- Failure to follow these instructions can result in death or brain damage.

1. With the help of two or more people, open the dishwasher door slowly while one person presses down on the top of the dishwasher. Remove the drain hose, lower dish rack and all packing material.
2. Locate the literature package, and read the User Manual for operating instructions.
3. Close the dishwasher door until latched, and stand the dishwasher upright.
4. Properly dispose of/recycle all packing material.

CHECK DOOR BALANCE

With another person holding the dishwasher to prevent it from tipping, open the door slowly.

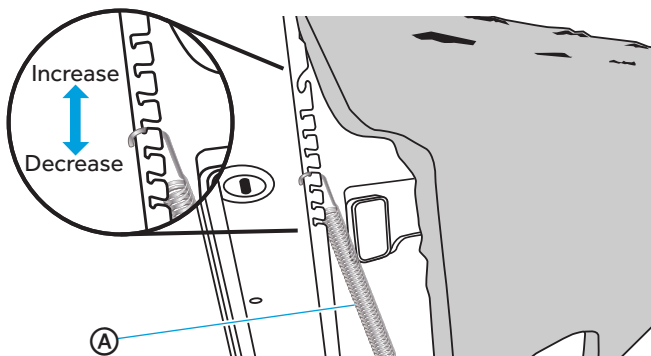
- If the door drops when released, increase the spring tension.
- If the door closes when released, decrease the spring tension.

To adjust the spring tension:

1. Grasping the spring firmly, raise or lower the hook end to the next higher or lower slot, and then insert the hook into the slot.

NOTE: Adjust both springs (left-hand side and right-hand side) to the same tension.

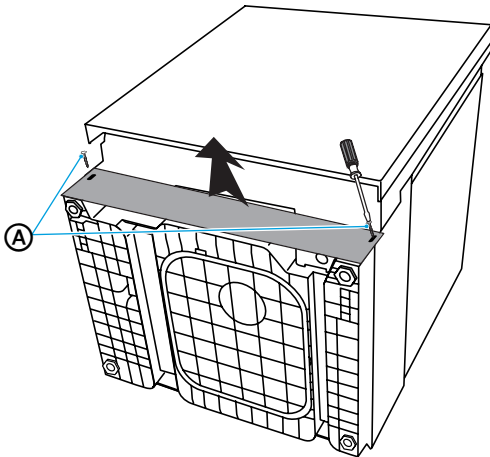
2. Retest the door. Continue moving the spring hooks higher or lower until the door is balanced.



A Spring

REMOVE KICK PLATE

1. Using a screwdriver, remove the two screws attaching the kick plate to the cabinet.
2. Lift off the kick plate.



A Kick Plate Screws (2)

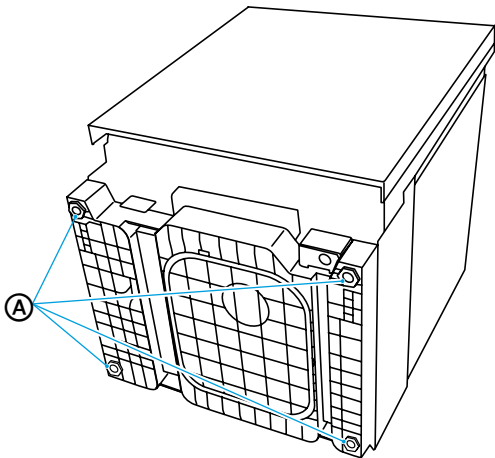
ADJUST LEVELING LEGS

1. Move the dishwasher close to the installation location and lay it on its back.
2. Measure the height of the opening from the underside of countertop to floor (lowest point).

- Extend the leveling legs from the base of the dishwasher by the length indicated in the following chart. Take into account any built-up flooring which may need to be added to the rear foot adjustment.

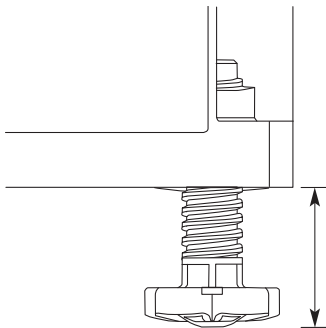
NOTES:

- If the floor was built up in for the front of the dishwasher, account for this difference when adjusting the rear leveling legs.
- Final leveling leg adjustments will be made following installation into the opening.



Ⓐ Adjust Leveling Legs to Installation Height

Leveling Leg Adjustment		
Opening Height	Front Legs	Back Legs
34"	0	0
34¼"	0	¼"
34½"	¼"	½"
34¾"	½"	¾"
35"	¾"	1"



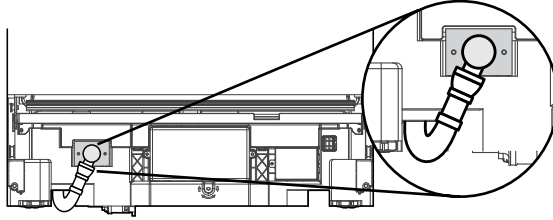
INSTALL 90° ELBOW

- Wrap the 90° elbow with thread seal tape.

NOTES:

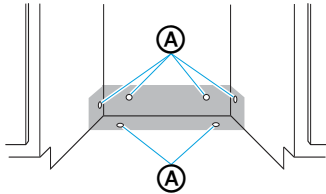
- Do not use plumber's putty.
- To avoid damaging the water valve bracket and/or fitting, do not over tighten the elbow.

- 2. Position the end of the elbow so that it faces the bottom left of the dishwasher.



PREPARE INSTALLATION OPENING

- The wiring and plumbing may enter the opening from either the right-hand or left-hand side of the rear wall, the side cabinets, or the floor within the shaded area. See “Location Requirements” for dimensions.



A Possible Utility Hole Locations

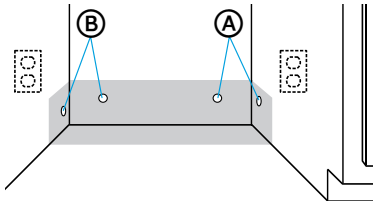
NOTE: Connecting the dishwasher to utilities will be easier if you route the wiring into the installation opening from the right-hand side and the plumbing from the left-hand side.

IMPORTANT: Any plumbing or electrical line run outside of the shaded area can become pinched.

- The direct wire cable may enter the opening through either the same hole used for the drain hose and hot water line or through an additional 1½” (3.8 cm) diameter hole.

NOTE: The hole must be free of sharp edges. If the cabinet wall is metal, the edge of the hole must be covered with a bushing/grommet.

- Power cords with a plug **MUST** pass through a separate hole.



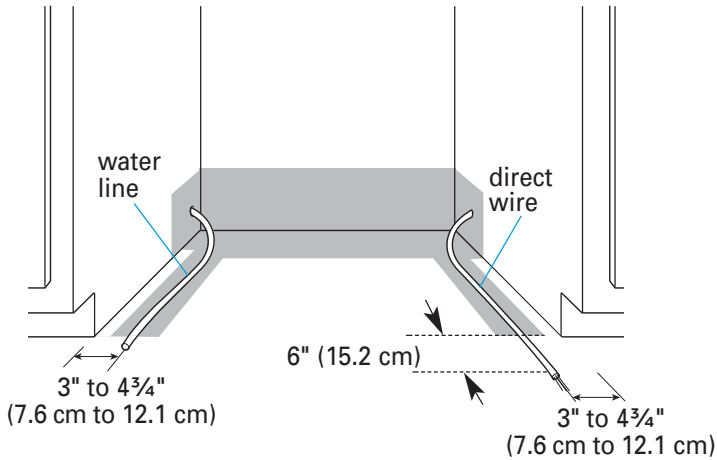
A Preferred Electrical Locations

B Preferred Plumbing Locations

VERIFY EXISTING UTILITY CONNECTIONS

WATER CONNECTION

1. Check that the water line reaches to the front, left-hand side of opening where the water connection will be made as shown in the following diagram.



ELECTRICAL CONNECTION

Electrical Connection to Dishwasher

1. Check that the direct wire cable extends a minimum of 6" beyond the front, right-hand side of the opening, and is routed as shown.

If the water line and the direct wire cable reach far enough to easily connect to the dishwasher, proceed to the next section "Install Mounting Brackets."

If the water line and the direct wire cable do NOT reach far enough, follow the instructions under "When There Are No Existing Utility Connections."

WHEN THERE ARE NO EXISTING UTILITY CONNECTIONS

PREPARE TO CONNECT POWER SUPPLY

Connect to the Power Supply using one of two Methods: Direct Wire Cable (Method 1) or Power Cord (Method 2). Follow the instructions specific to your installation.

WARNING



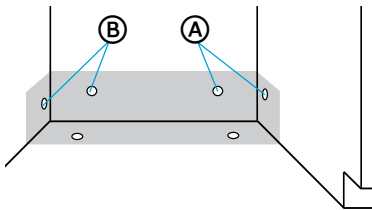
Electrical Shock Hazard

- Disconnect electrical power at the fuse box or circuit breaker box before installing dishwasher.
- Failure to do so can result in death or electrical shock.

Method 1 - Direct Wire

1. Drill a $\frac{3}{4}$ " (1.9 cm) hole into the right-hand cabinet, or the right-hand side of the back wall or floor of the opening. See following graphic for preferred and optional locations.

NOTE: Wiring the dishwasher will be easier if the wire is routed into the opening from the right-hand side.



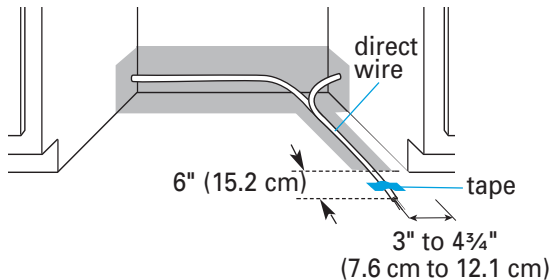
- (A) Preferred Locations
- (B) Optional Locations

2. Smooth or cover rough edges of the hole that the wiring will pass through.

Wood Cabinet - Sand edge of hole until smooth.

Metal Cabinet - Cover edge of hole with grommet (not provided).

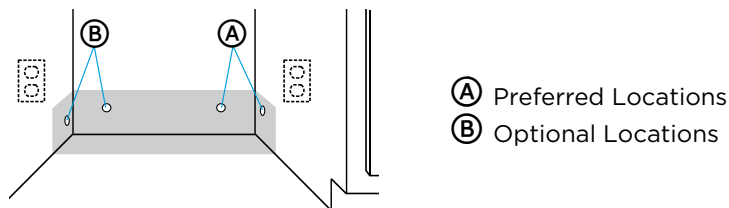
3. Route the cable from the power supply through the hole (cable must extend to the front, right-hand side of the opening). Extend cable to 6" (15.2 cm) in front of unit and tape the cable to the floor to keep it from moving when dishwasher is moved into the cabinet opening.



Method 2 - Power Supply Cord

IMPORTANT:

- The power cord and connections must comply with the National Electrical Code, Section 422 and/or local codes and ordinances. Recommended cord length is 54" min. and 64" max.
 - A mating 3 prong, ground-type wall receptacle is required in a cabinet next to the dishwasher opening.
 - A power cord kit part #BK500 is available for purchase from an authorized parts dealer.
1. Drill a 1½" (3.8 cm) hole in the cabinet rear or side. Preferred and Optional locations are shown in the following graphic.
 2. Smooth edges of hole for power cord.
Wood Cabinet - Sand edges of hole until smooth.
Metal Cabinet - Cover edges of hole with grommet (not provided).
 3. Attach power cord to dishwasher before moving it into the opening. See "Connect Power Supply" section for proper installation technique.



WARNING

Electrical Shock Hazard



- Plug into a grounded 3 prong outlet.
- Do not remove the ground prong from the power cord plug.
- Do not use an adapter.
- Do not use an extension cord.
- Failure to do so can result in death, fire or electrical shock.

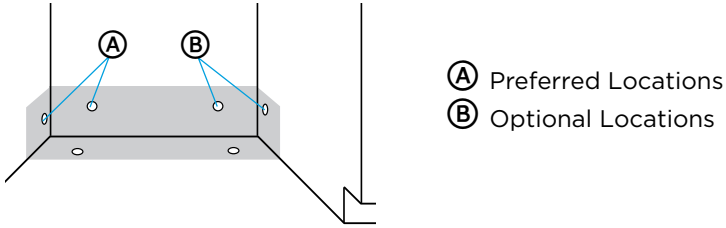
PREPARE TO CONNECT WATER LINE

NOTE: Routing the water line through the left side of cabinet opening will make water connection easier.

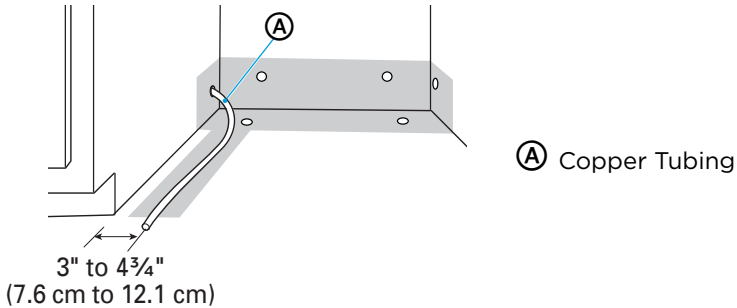
1. Drill a ½" (1.3 cm) hole in the cabinet side, rear or floor. Preferred and optional locations are shown in the following graphic.
2. Measure to determine the overall length of copper tubing required for the water line.

IMPORTANT: Slowly feed copper tubing through hole in cabinet. Copper tubing bends and kinks easily, so handle the tubing gently.

3. Attach copper tubing to the manual shutoff valve.



4. Slowly feed the copper tubing through the hole into the opening. Continue feeding the tubing, until there is enough length to connect to the inlet (front, left-hand side of the dishwasher) yet remain within the required boundary.

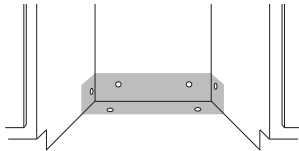


5. Slowly turn water shutoff valve to "ON" position. Flush water into a shallow pan to get rid of particles that may clog the inlet valve.
6. Turn shutoff valve to "OFF" position.

PREPARE TO CONNECT DRAIN HOSE

The drain hose will be connected to the house drain system after the dishwasher is installed in the opening.

1. Drill a 1½" (3.8 cm) hole in cabinet wall or floor on the side of the opening closest to the sink.



INSTALL MOUNTING BRACKETS

IMPORTANT: The dishwasher must be secured with mounting brackets to the countertop or adjacent cabinets to keep it from tipping when the door is opened.

Some countertop materials, such as granite, do not accept screws; and therefore, do not lend themselves to a countertop installation.

Follow the instructions to install mounting brackets in the manner required for your installation method. You will secure the dishwasher after it is connected to the utilities and moved into the opening.

WARNING

Excessive Weight Hazard

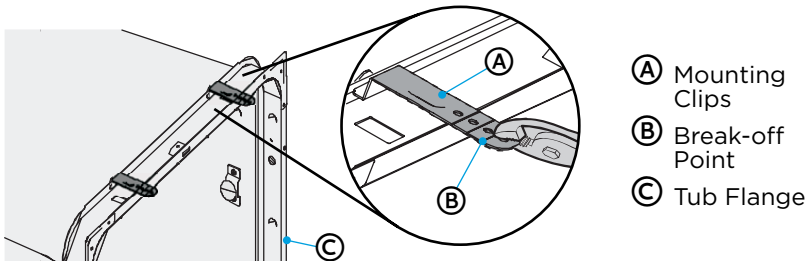
- Use two or more people to move and install dishwasher.
- Failure to do so can result in back or other injury.

Method 1 - Installation to Countertop

To enable you to secure the dishwasher to the countertop, install two mounting clips to the top of the dishwasher.

1. With the help of two or more people, stand the dishwasher upright.
2. Insert the mounting clips into the front, top slots of the dishwasher.

NOTE: The top mounting clips have a break off point, so a section of the clip can be removed, if necessary, to fit the depth of the cabinet.

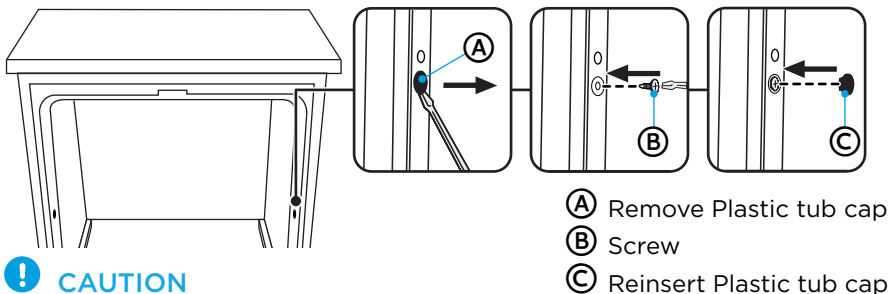


Method 2 - Installation to Adjacent Cabinets

1. Remove the plastic tub caps from the inside of the dishwasher tub.
2. Drive a wood screw through the hole in the side of the dishwasher into the cabinet frame.

IMPORTANT: Drive the screws straight and flush. Protruding screw heads will scratch the side of the dishwasher. This method is for attaching the dishwasher to the side of the cabinet, and it should be done when the countertop is made of granite or other breakable materials.

3. Reinsert the plastic tub caps.

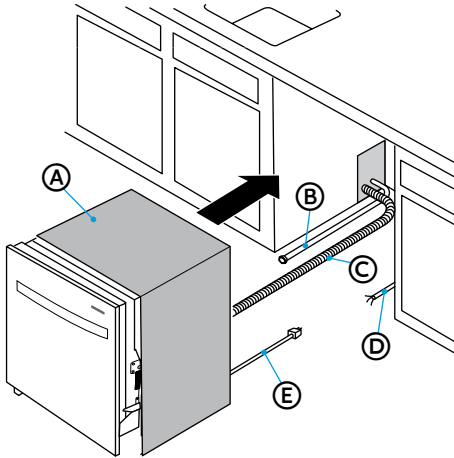


CAUTION

Do Not Overtighten Side Screws.

CONNECT DRAIN HOSE TO DISHWASHER

1. Grasp the sides of the dishwasher at the edges of the door panel, and place the dishwasher in front of the opening.
2. Insert the drain hose into the hole in the cabinet wall.
3. Attach drain hose to the back of the dishwasher and secure with a hose clamp.



- (A) Insulation Blanket
- (B) Water Line
- (C) Drain Hose (Maximum Length 10 ft [3.0 m])
- (D) House Wiring
- (E) Power Cord (If Used)

SLIDE DISHWASHER PARTIALLY INTO OPENING

WARNING

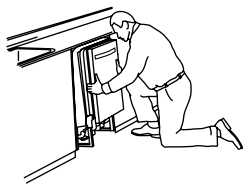


Tip Over Hazard

- Do not use dishwasher until completely installed.
- Do not push down on open door.
- Doing so can result in serious injury or cuts.

1. Position power supply.
 - If dishwasher has a power supply cord, insert power supply cord into the hole cut into the cabinet.
 - If using a direct-wire connection, check that the wiring is on the right front side of opening.
2. Make sure the drain hose is not kinked under the dishwasher and there is no interference with the water line and wiring or any other component.
3. Slowly move the dishwasher into the opening a few inches at a time. As you proceed, pull the drain hose, water supply hose and cord through the opening under the sink or cabinet. Stop pushing when the dishwasher is a few inches in front of the adjacent cabinetry.

NOTE: Do not push against the front of the panel or on the console - they will dent.



Reposition dishwasher by grasping both sides with hands.



Do not push against front door panel with knee. Damage to the door panel will occur.

4. Push dishwasher completely into the opening so that the front corners of the dishwasher door are flush with the cabinet doors.

NOTE: It is all right if the dishwasher fits tightly into cabinet opening. Do not remove insulation blanket - the blanket reduces the sound level.

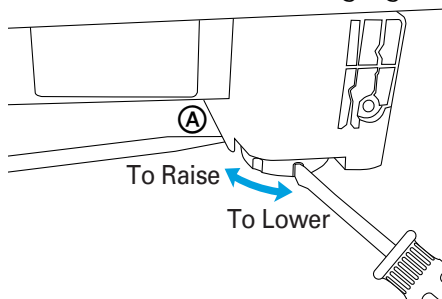
LEVEL DISHWASHER

IMPORTANT: Dishwasher must be level for proper dish rack operation and wash performance.

1. Level the dishwasher so that its front panel is aligned with the adjacent cabinet doors.

NOTE: With some installations, it may be easier to adjust the front leg using a flat blade screwdriver.

- To Lower - Turn the leveling leg counterclockwise.
- To Raise - Turn the leveling leg clockwise.



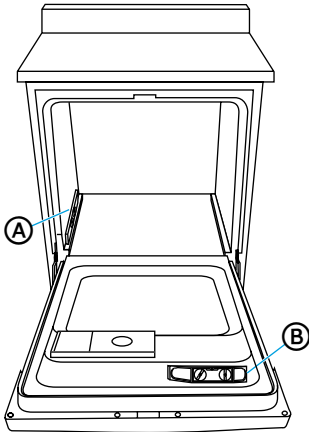
A Raise one side of the dishwasher

2. Check that the leveling legs are firmly against the floor.
3. Close and latch the door, and place level against the front panel. Check that dishwasher is plumb. If needed, adjust leveling leg or add shims until dishwasher is plumb.

NOTE: Shims must be securely attached to floor to prevent their movement when the dishwasher is operated.

4. Repeat for other side of dishwasher.

5. Place level on door and rack track inside the tub as shown. Check that dishwasher is level from side to side, and from back to front. If the dishwasher is not level, adjust front legs up or down until dishwasher is level.



- (A) Level Front to Back
(B) Level Side to Side

NOTE: Pull lower rack out about halfway. If the rack rolls forward or back into the dishwasher, the dishwasher must be leveled again.

CONNECT TO POWER SUPPLY

DIRECT WIRE CABLE

WARNING

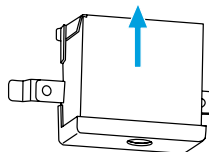


Electrical Shock Hazard

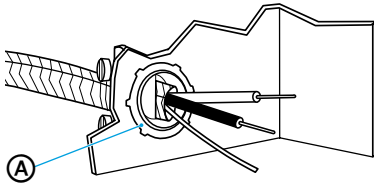
- Electrically ground dishwasher.
- Connect ground wire to green ground connector in terminal box.
- Do not use an extension cord.
- Failure to follow these instructions can result in death, fire, or electrical shock.

IMPORTANT: Contact a qualified electrician. Be sure that the electrical connection and wire size are adequate and in conformance with the National Electrical Code, ANSI/NFPA No. 70-latest edition and all local codes and ordinances.

1. Confirm that power is turned off at the source.
2. Remove terminal box cover. Retain for later use.

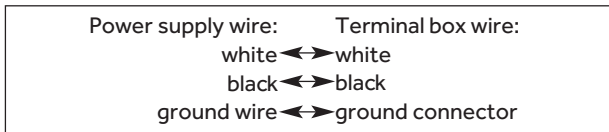


3. Install a UL listed/CSA approved strain relief.
4. Route the direct wire cable in the channel on the right-hand side of the dishwasher base. Make sure that the dishwasher is not resting on and/or pinching the wire.
5. Pull direct wire through strain relief in terminal box.



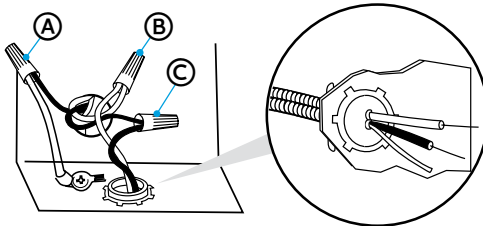
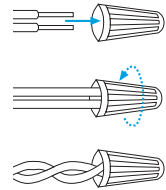
(A) Strain Relief

6. Connect the wires as follows using UL listed wire nuts of the appropriate size to connect direct wire to 16-gauge dishwasher wire.



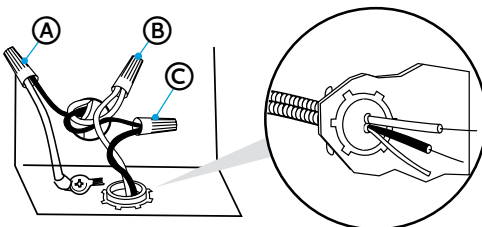
NOTES:

- Use UL listed wire nuts of the appropriate size to connect your household wiring to 16-gauge dishwasher wiring.
- Insert wire ends into twist on connector. Do not pre-twist bare wire.
- Twist connector.
- Gently tug on wires to be sure both wires are secured.



(A) Ground
(B) White
(C) Black

7. Tighten strain relief screws to secure cord.
8. Reinstall terminal box cover with wire nuts inside terminal box.
9. Make sure wires are not pinched by cover.



(A) Ground
(B) White
(C) Black

CONNECT POWER CORD

WARNING

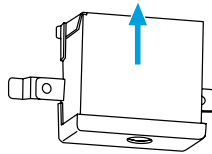


Electrical Shock Hazard

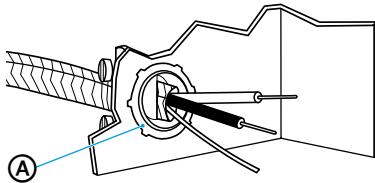
- Plug into a grounded 3 prong outlet.
- Do not remove the ground prong from the power cord plug.
- Do not use an adapter.
- Do not use an extension cord.
- Failure to do so can result in death, fire or electrical shock.

IMPORTANT: The power cord and connections must comply with the National Electrical Code, Section 422 and/or local codes and ordinances. Recommended cord length is 54" min. and 64" max.

1. Confirm that power is turned off at the source.
2. Remove junction box cover. Retain for later use.

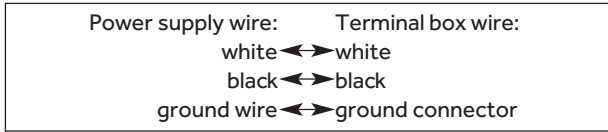


3. Install a UL listed/CSA approved strain relief.
4. Route power cord in the channel on the right-hand side of the dishwasher base. Make sure that the dishwasher is not resting on and/or pinching the wire.
5. Pull the power cord through the strain relief in the junction box.



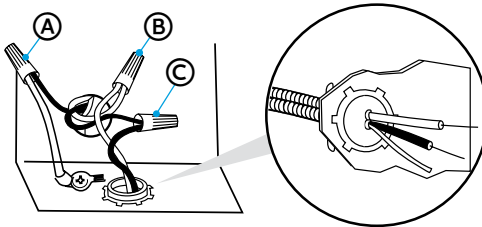
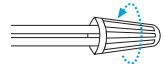
(A) Strain Relief

6. Connect the wires as follows using UL listed wire nuts of the appropriate size to connect power cord to 16-gauge dishwasher wire.



NOTES:

- Use cUL/UL listed wire nuts of the appropriate size to connect the power cord to 16-gauge dishwasher wiring.
- Insert wire ends into the wire nut. Do not pre-twist bare wire.
- Twist the wire nut.
- Gently tug on wires to be sure both wires are secured.



- (A) Ground
- (B) White
- (C) Black

7. Tighten strain relief screws to secure the power cord.
8. Gently guide the wire nuts into the junction box, and then replace the junction box cover making sure to not pinch the wires.

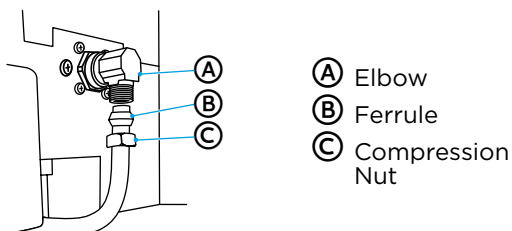
CONNECT TO WATER SUPPLY

IMPORTANT: Handle and reposition the copper tubing gently; it bends and kinks easily.

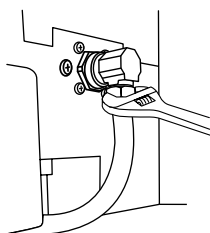
1. Connect the water supply line to the 90° elbow.
 - Slide the nut onto copper tubing, approximately 1" (2.5 cm) from the end, and then slide the ferrule onto the tubing. Do not position the ferrule on the end of the tubing.
 - Insert the copper tubing into the elbow as far as it will go.

- Slide the nut and ferrule forward, and then start threading the nut onto the elbow.

IMPORTANT: Do not solder within 6" (15.2 cm) of the water inlet valve.



2. Route the water supply line in the channel on the left-hand side of the base. To minimize the noise caused by vibration when using the dishwasher, make sure the supply line does not touch the dishwasher base, frame, or motor. Make sure the dishwasher is not resting on and/or pinching the supply line.
3. Tighten the compression nut until snug. Do not overtighten.
4. Place a paper towel under elbow, and then turn on the water supply to check for leaks.



CONNECT TO HOUSE DRAIN SYSTEM

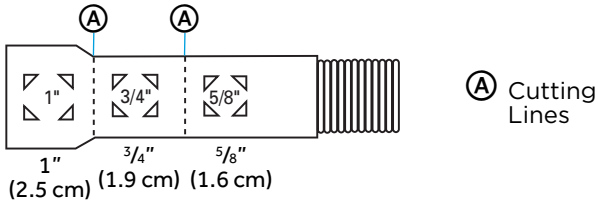
1. Connect the drain hose to the waste tee or garbage disposal using one of the following methods.
 - **Option 1** - Garbage Disposal - With Air Gap
 - **Option 2** - No Garbage Disposal- With Air Gap
 - **Option 3** - Garbage Disposal - No Air Gap*
 - **Option 4** - No Garbage Disposal - No Air Gap*

*an air gap is recommended

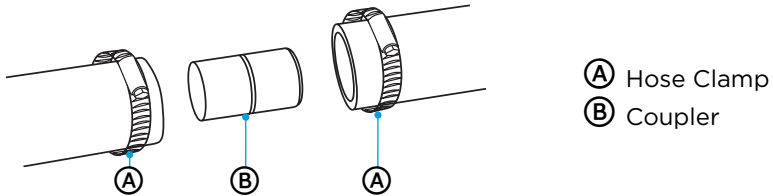
IMPORTANT:

- Always use a new drain hose when installing a new dishwasher.
- Total drain hose length must not exceed 10 ft (3.05 m), for proper drain operation.
- To minimize the noise caused by vibration when using the dishwasher, route the drain hose so that it avoids contact with the floor and the edge of the hole in the cabinet through which the hose passes.

- The molded end of the drain hose will fit $\frac{5}{8}$ " (1.6 cm), $\frac{3}{4}$ " (1.9 cm) or 1" (2.5 cm) diameter connections on an air gap, waste tee or disposal. Cut on the marked line as required for your installation.



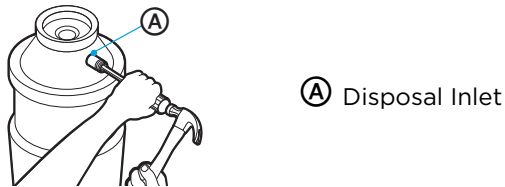
NOTE: Use $\frac{5}{8}$ " or $\frac{7}{8}$ " inside diameter hose and a coupler to connect the two hose ends. Secure the connection with hose clamps if an extension is required.



- Secure the drain hose to the air gap, waste tee or garbage disposal with clamps.

Option 1 - (Garbage Disposal - With Air Gap):

- Remove the knockout drain plug from the disposal inlet. Using a screwdriver and hammer, firmly tap the plug. The plug will separate and fall into the disposal.



- Remove the drain plug from the disposal.

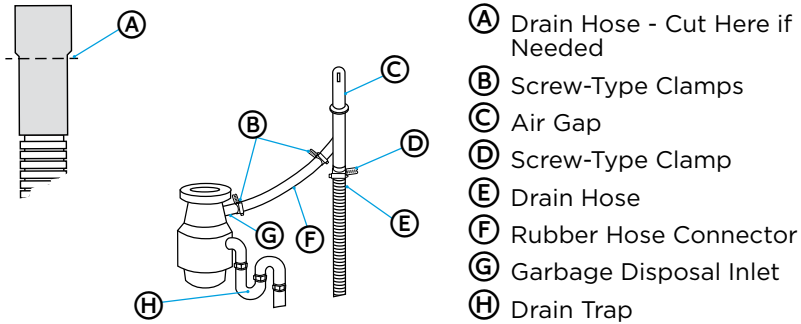


IMPORTANT: If you need to cut the drain hose to fit the diameter of the connection, cut only the rubber end of the hose, as shown earlier in this section (do not cut into the ridged section).

- Using a screw-type clamp*, attach the drain hose to the air gap. Cut the rubber end of the hose, as needed.

- Use a rubber hose connector* with a screw type clamp* to connect air gap to garbage disposal inlet.

NOTE: This connection must be located before the drain trap and at least 20" (50.8 cm) above the floor where dishwasher will be installed.



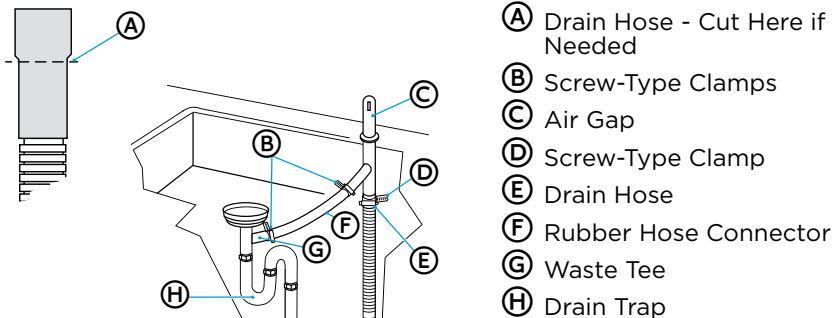
*Parts available from local plumbing supply store.

Option 2 - (No Garbage Disposal - With Air Gap):

IMPORTANT: If you need to cut the drain hose to fit the diameter of the connection, cut only the rubber end of the hose, as shown earlier in this section (do not cut into the ridged section).

- Attach drain hose to air gap with large screw-type clamp. Cut the rubber end of the drain hose, as needed.
- Use a rubber hose connector* with spring or screw type clamps* to connect air gap to garbage disposal inlet.

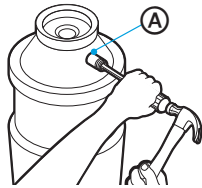
NOTE: This connection must be located before the drain trap and at least 20" (50.8 cm) above the floor where dishwasher will be installed.



*Parts available from local plumbing supply store.

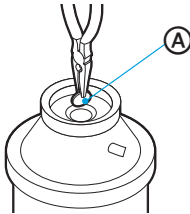
Option 3 - (Garbage Disposal - No Air Gap):

1. Remove the knockout drain plug from the disposal inlet. Using a screwdriver and hammer, firmly tap the plug. The plug will separate and fall into the disposal.



(A) Disposal Inlet

2. Remove the drain plug from the disposal.



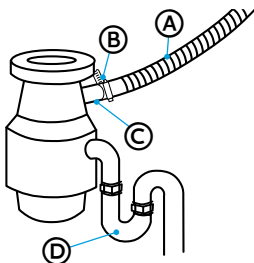
(A) Disposal Drain Plug

IMPORTANT: If you need to cut the drain hose to fit the diameter of the connection, cut only the rubber end of the hose, as shown earlier in this section (do not cut into the ridged section).

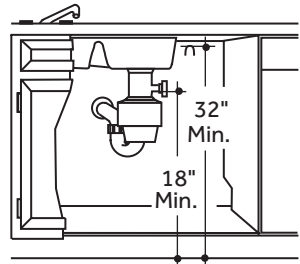
3. Using a screw-type clamp*, attach the drain hose to the garbage disposal inlet.

NOTES:

- This connection must be located before the drain trap and at least 20" (50.8 cm) above the floor where dishwasher will be installed.
- It is recommended that the drain hose be looped up and securely fastened to the underside of the counter at a minimum height of 32" (81.3 cm).



- (A) Drain Hose
- (B) Screw-Type Clamp
- (C) Garbage Disposal Inlet
- (D) Drain Trap



*Parts available from local plumbing supply store.

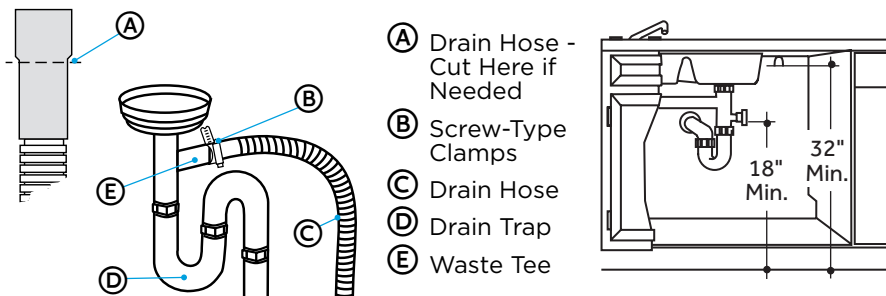
Option 4 - (No Garbage Disposal - No Air Gap):

IMPORTANT: If you need to cut the drain hose to fit the diameter of the connection, cut only the rubber end of the hose, as shown earlier in this section (do not cut into the ridged section).

1. Attach drain hose to waste tee with 1½" to 2" (3.8 to 5 cm) screw-type clamp*.

NOTES:

- This connection must be located before the drain trap and at least 20" (50.8 cm) above the floor where dishwasher will be installed.
- It is recommended that the drain hose be looped up and securely fastened to the underside of the counter at a minimum height of 32" (81.3 cm).



*Parts available from local plumbing supply store.

SECURE DISHWASHER

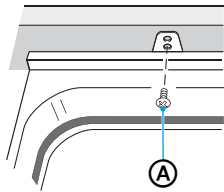
To secure the dishwasher to either the Countertop (Method 1) or Cabinet (Method 2), follow the instructions for the method specific to your installation.

Method 1 - Installation to Countertop

Secure the dishwasher to the countertop using the two mounting clips installed to the top of the dishwasher.

1. Open the dishwasher, remove the lower dish rack, and place a towel over the filters, located at the bottom of the tub, to prevent debris from falling into the pump system.
2. Check that the dishwasher is level and centered side to side in the opening so there is no interference with adjacent cabinets when opening or closing the door.
3. Check that the tub flange aligns with the front face of the cabinet frame.

- Using two Phillips-head screws (provided), fasten the two mounting clips on the top of the dishwasher to the underside of the countertop.



A #8 x $\frac{5}{8}$ " Phillips Flat-head Screw

- Open the door about 3" (7.6 cm) and check that the space between the inner door and tub is equal on both sides.
- If spacing is not equal, loosen the mounting clip screws and shift the tub. Retighten bracket screws.
- Check that the top of the door does not contact the screws, mounting clips or countertop. If it does, the dishwasher must be lowered and leveled again. See "Level The Dishwasher."

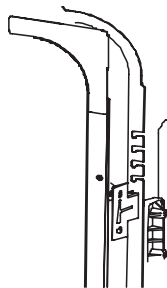
NOTES

- Drive the screws straight and flush. Protruding screw heads will scratch the top of the control panel and can interfere with door closing.
 - If spacing is not equal, loosen the bracket screws and shift the tub. Retighten the bracket screws.
- Remove towel from dishwasher.
 - Reinstall the lower dish rack.

Method 2 - Installation to Adjacent Cabinets

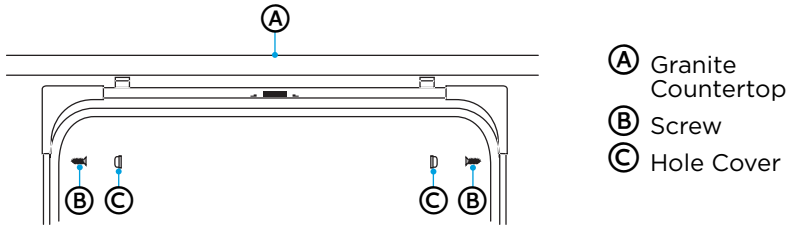
Secure the dishwasher to the adjacent cabinets using the side mounting brackets.

- Open the dishwasher, remove the lower dish rack, and place a towel over the filters, located at the bottom of the tub, to prevent debris from falling into the pump system.
- Insert a mounting clip into the slot (one on each side) of the dishwasher.

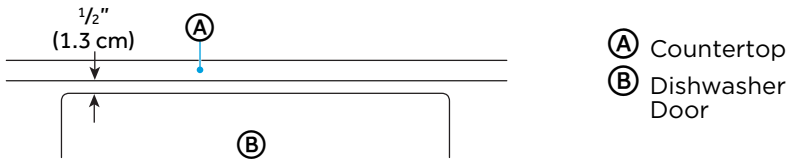


- Open the dishwasher door. Using a flat-blade screwdriver or prying tool, remove the hole covers (one on each side).
- Insert the screws through the dishwasher side-mount bracket and into the adjacent cabinet on each side.

5. Reinstall the hole covers.



6. Close dishwasher door and verify that gap between the countertop and the top of the dishwasher door is at least $\frac{1}{4}$ " (0.64 cm).



7. Remove towel from dishwasher.
8. Reinstall the lower dish rack.

PRE-TEST CHECKLIST

1. Check that the power is OFF.
2. Check door opening and closing. If door does not open and close freely or tends to fall, check spring adjustments. See "Check Door Balance."
3. Check that wiring is secure under the dishwasher, not pinched or in contact with door springs or other components. See "Position the Water Line and House Wiring."
4. Check door alignment with tub. If door hits tub, level dishwasher. See "Level Dishwasher."
5. Pull out the lower rack, about halfway. Check that the rack does not roll back into the dishwasher or forward onto the door. If the rack moves, adjust leveling legs. See "Level the Dishwasher."
6. Check door alignment with cabinet. If door hits cabinet, reposition or level the dishwasher. See "Level the Dishwasher."
7. Verify that the water supply and drain lines are not kinked or in contact with other components.
8. Turn on the sink hot water faucet and verify water temperature. Incoming water temperature must be between 120°F and 150°F (49°C and 65°C). A minimum of 120°F (49°C) temperature is required for best wash performance.
9. Add 2 quarts (1.9 L) of water to the bottom of the dishwasher to lubricate the pump seal.
10. Turn on water supply. Check for leaks. Tighten connections if needed.
11. Remove protective film, if present, from the control panel and door.

TEST DISHWASHER

WARNING



Electrical Shock Hazard

- Electrically ground dishwasher.
- Connect ground wire to green ground connector in terminal box.

If connecting with a power cord:

- Plug into a grounded 3-prong outlet.
- Do not use an adapter.
- Do not remove the ground prong from the power cord plug.
- Do not use an extension cord.
- Failure to follow these instructions can result in death, fire, or electrical shock.

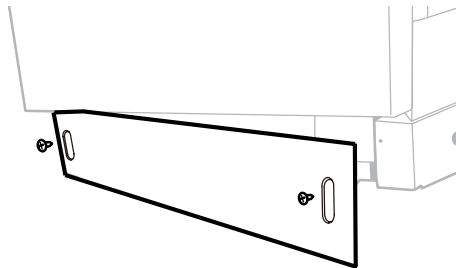
- If using a direct wire cable, turn on power at source.
- If using a power cord, plug cord into a grounded 3-prong outlet. Make sure the power cord does not touch the motor or the lower part of the dishwasher tub, and then turn on power at source.

1. Connect to power supply.
2. On the Control Panel, press the controls needed to start the shortest cycle. See the User Manual for instructions.
3. Firmly close the dishwasher door within 4 seconds of pressing START.
4. After the first 2 minutes, open the door. Check to see that there is water in the bottom of the dishwasher tub. If water has not entered the dishwasher, check that the water and power supplies are turned on.

5. Check for leaks under the dishwasher. If a leak is found, turn power and water supply off, then tighten connections. Restore power after leak is corrected.
6. Check for leaks around the door. A leak around the door could be caused by door rubbing or hitting against adjacent cabinetry. Reposition the dishwasher, if necessary.
7. When the dishwasher is draining, check the drain lines. If leaks are found, turn power off at the breaker and correct plumbing as necessary. Restore power after corrections are made.
8. Open dishwasher door and make sure most of the water has drained. If not, check that disposal plug has been removed and/or air gap is not plugged. Also check drain line for kinking.
9. Run the dishwasher through another fill and drain cycle. Check for leaks and correct, if needed.

REPLACE THE KICK PLATE

1. Place the kick plate against the legs of the dishwasher. The slots in the kick plate should align with the screw holes in the bracket. Allow the bottom edge of the kick plate to touch the floor.
2. Using screws (provided), fasten the kickplate to the dishwasher.





INSTRUCTIONS D'INSTALLATION

Lave-vaisselle

Alimentation en électricité : 120 V
Puissance nominale : 1000 W
Fréquence : 60Hz
Capacité : 14 couverts



Installateur: Assurez-vous de laisser ces instructions pour le consommateur et l'utilisation de l'inspecteur local.

Propriétaire: Conservez ces instructions avec votre Manuel de l'utilisateur pour référence future.

SÉCURITÉ LIÉE AU LAVE-VAISSELLE	3
CRITÈRES D'INSTALLATION	5
Outils et pièces	5
Points de connexion clés.....	7
Conditions d'emplacement.....	7
Critère sur le drain	9
Critères sur l'alimentation en eau.....	10
Exigences électriques.....	10
INSTRUCTION D'INSTALLATION.....	11
Déballage du lave-vaisselle.....	12
Vérifier l'équilibre de la porte.....	12
Retrait de la plaque de bas de porte.....	13
Ajuster les pieds de nivellement.....	14
Installez le coude à 90 °.....	15
Préparer l'ouverture de l'installation.....	15
Vérifier les connexions du fournisseur existantes.....	16
Lorsqu'il n'y a aucune connexion du fournisseur existante....	17
Installer les supports de montage	20
Connectez le tuyau de vidange au lave-vaisselle.....	21
Faites glisser le lave-vaisselle partiellement dans l'ouverture	22
Mise à niveau du lave-vaisselle.....	23
Connectez-vous à l'alimentation	24
Connectez à l'approvisionnement en eau.....	27
Se connecter au système de vidange de la maison.....	28
Lave-vaisselle sécurisé	32
Liste de contrôle avant le test.....	34
Test lave-vaisselle	35
Remplacer la plaque de bas de porte	36

SÉCURITÉ LIÉE AU LAVE-VAISSELLE

VOTRE SÉCURITÉ ET CELLES DES AUTRES SONT TRÈS IMPORTANTES

Pour éviter de blesser l'utilisateur ou d'autres personnes et de causer des dommages matériels, vous devez suivre les instructions ci-dessous. Une mauvaise manipulation due à l'ignorance des instructions peut causer des préjudices ou des dommages, dont la mort.

Le niveau de risque est indiqué par les indications suivantes.



Ce symbole signale la possibilité de mort ou de blessure grave.



Ce symbole signale la possibilité de blessure ou de dommages matériels.



Ce symbole signale la possibilité d'une tension dangereuse constituant un risque de choc électrique susceptible d'entraîner la mort ou une blessure grave.



AVERTISSEMENT/INSTRUCTION POUR LA MISE À LA TERRE

Une mauvaise connexion du conducteur de mise à la terre de l'équipement peut entraîner un risque d'électrocution. Vérifiez auprès d'un électricien qualifié ou d'un représentant de service si vous avez des doutes sur le fait que la mise à la terre de l'appareil ait été proprement faite. Ne modifiez pas la fiche fournie avec l'appareil. Si la fiche ne correspond pas à la prise, faites installer par un électricien qualifié une prise adéquate.

Pour un appareil relié à la terre et relié par câble :

Cet appareil doit être mis à la terre. En cas de dysfonctionnement ou de panne, la mise à la terre réduit le risque de choc électrique en fournissant un chemin de moindre résistance au courant électrique. Cet appareil est équipé d'un cordon doté d'un conducteur de mise à la terre de l'équipement et une fiche de mise à la terre. La fiche doit être branchée dans une prise appropriée installée et mise à la terre conformément à tous les codes et règlements locaux.

Pour un appareil connecté en permanence :

Cet appareil doit être connecté à un système de câblage permanent en métal mis à la terre, ou un conducteur de mise à la terre doit être relié aux conducteurs du circuit et connecté à la borne de mise à la terre de l'équipement ou à l'appareil.

AVERTISSEMENT



Conseil pour éviter le risque de basculement

- N'utilisez pas le lave-vaisselle avant qu'il ne soit complètement installé.
- N'appuyez pas sur la porte déjà ouverte.
- Cela pourrait entraîner des blessures graves ou des coupures.

AVERTISSEMENT

Danger de suffocation

- Avant de jeter votre ancien appareil, enlevez la porte ou le couvercle afin que les enfants ne puissent pas se cacher ou se coincer dans votre ancien appareil.
- Le non-respect de ces instructions peut entraîner la mort ou des lésions cérébrales.

AVERTISSEMENT

Risque de choc électrique



Pour réduire le risque d'électrocution, d'incendie ou de blessures :

- L'installateur doit s'assurer que le lave-vaisselle est complètement fermé au moment de l'installation.
- Des précautions doivent être prises lorsque le lave-vaisselle est installé ou retiré afin de réduire les risques d'endommager le cordon d'alimentation.

Avertissement - Proposition 65 de l'État de Californie :

 **AVERTISSEMENT:** Cancer et effets nocifs sur la reproduction
-www.P65Warnings.ca.gov

CRITÈRES D'INSTALLATION

OUTILS ET PIÈCES

Rassemblez les outils et les pièces nécessaires avant de commencer l'installation.

PIÈCES FOURNIES



Vis à bois à tête plate (4)



Pince pour le montage supérieur (2)



Étrangleur de type vis



Tuyau de vidange

PIÈCES NÉCESSAIRES (NON FOURNIES)



Robinet de prise, écrou à compression et coude à 90 ° avec filetage externe de $\frac{3}{8}$ po N.P.T à une extrémité (l'autre extrémité doit correspondre à votre conduite d'alimentation d'eau).



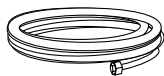
Ruban à joints fileté



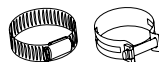
Capuchons de connexion listés UL (3)



Ensemble du cordon d'alimentation #BK500 ou Câble électrique (facultatif)



Tube en cuivre pour la conduite d'alimentation ($\frac{3}{8}$ po min.)



Colliers de serrage de tuyau



Réducteur de tension

PIÈCES NON FOURNIES



Vis cruciforme



Monte-démonte écrou de
 $\frac{5}{16}$ po et $\frac{1}{4}$ po



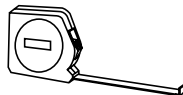
Niveau



Lampe de poche



Clé ajustable de 6 po



Ruban



Équerre de charpentier



Lunettes de protection



Seau



Gants



Tournevis à lame plate

NOUVELLE INSTALLATION (SEULEMENT)

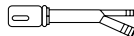
Pièces requises



Vanne d'arrêt manuelle



Té de vidage
(Tuyauterie de maison,
le cas échéant)

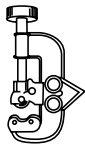


Entrefer pour le tuyau
de vidange
(le cas échéant)

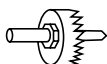


Coupler (rallonge le
tuyau de drainage, le cas
échéant)

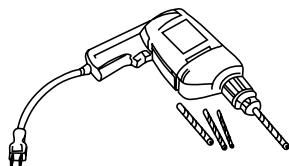
Outil nécessaire



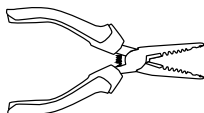
Coupe-tube



Ensemble de scies cylindrique



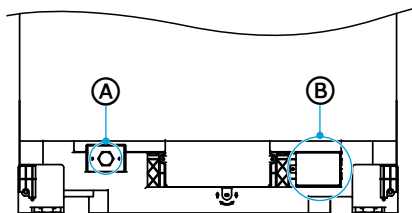
Perceuse et mèches



Pince à dénuder

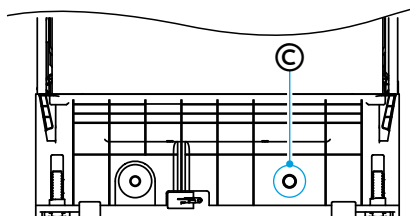
POINTS DE CONNEXION CLÉS

Avant



- Ⓐ Connexion d'eau
- Ⓑ Boîte de jonction électrique

Arrière



- Ⓒ Connexion du tuyau de vidange

CONDITIONS D'EMPLACEMENT

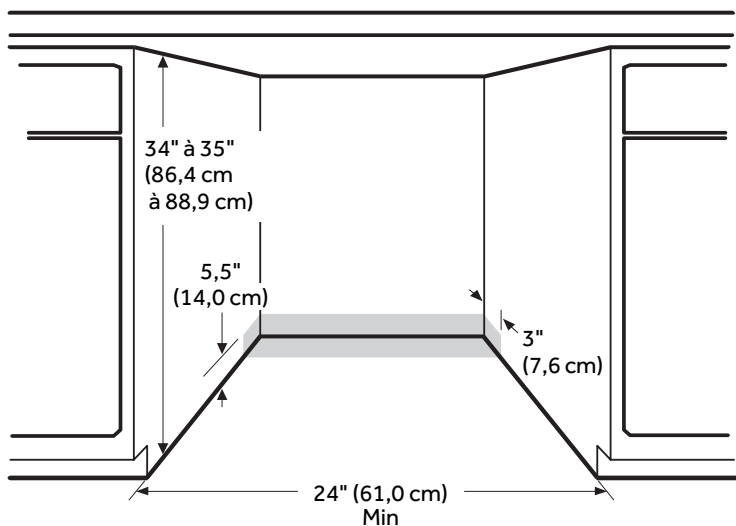
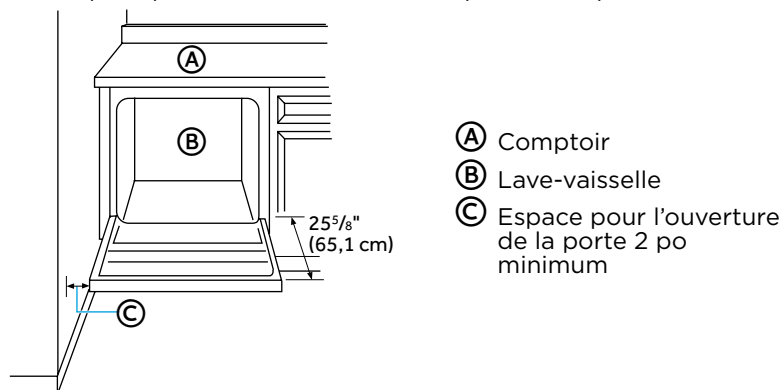
IMPORTANT :

- Ne faites pas circuler des conduites de vidange, des canalisations d'eau ou des câbles électriques à un endroit où ils pourraient interférer avec ou entrer en contact avec les moteurs ou les pieds du lave-vaisselle.
- L'emplacement où le lave-vaisselle sera installé doit fournir un espace entre les moteurs et le plancher. Les moteurs ne doivent pas toucher le sol.
- L'ouverture doit avoir un sol plan. (Si le plancher à l'avant de l'ouverture n'est pas de niveau avec le plancher à l'arrière de l'ouverture, des cales peuvent être nécessaires pour niveler le lave-vaisselle).
- N'installez pas le lave-vaisselle sur un plancher recouvert de moquette.
- Le lave-vaisselle doit être entièrement fermé sur le dessus, les côtés et l'arrière et ne doit supporter aucune partie de l'enceinte.

- Le lave-vaisselle doit être installé de sorte que le tuyau de vidange ne dépasse pas 10 pi en longueur pour un drainage adéquat.

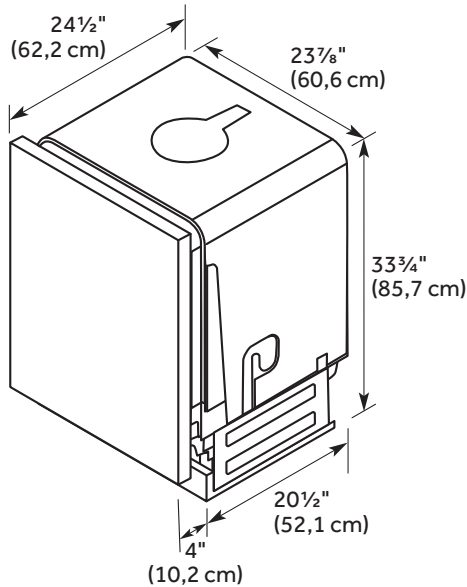
DIMENSION D'OUVERTURE

- L'ouverture du meuble de rangement doit être d'au moins 24 po (61 cm) de largeur et d'au plus 35 po (88,9 cm) de hauteur, et permettre un accès facile à l'eau, à l'électricité et à un drain.
- Lorsqu'il est installé dans un coin, un espace minimum de 2 po (5,1 cm) est requis entre le côté du lave-vaisselle et le mur, l'armoire ou tout autre appareil adjacent.
- Il doit y avoir un espace minimum de 25 $\frac{5}{8}$ po (65,1 cm) devant le lave-vaisselle pour permettre l'ouverture complète de la porte.



* Assurez-vous que la conduite d'eau, les fils et le tuyau de vidange sont dans la zone ombrée.

DIMENSION DU PRODUIT



CRITÈRE SUR LE DRAIN

Suivez les codes et les règlements locaux.

TUYAU DE DRAINAGE

Utilisez le nouveau tuyau de vidange fourni avec votre lave-vaisselle. Si le tuyau fourni n'est pas assez long, utilisez un nouveau tuyau de vidange d'une longueur maximale de 3,05 m (10 pi) conforme à toutes les normes d'essai AHAM/IAPMO actuelles.

Le tuyau de vidange devrait :

- Être résistant à la chaleur et au détergent
- Avoir un diamètre intérieur (DI) de $\frac{5}{8}$ po (1,58 cm) ou $\frac{7}{8}$ po (2,2 cm)
- Inclure un coupler pour connecter les deux extrémités du tuyau (sécuriser la connexion avec deux pinces)

Ne PAS connecter les tuyaux de vidange à d'autres appareils au tuyau de vidange du lave-vaisselle.

Chemin emprunté par le tuyau de vidange

Le tuyau de vidange peut passer par le même trou que le câblage et la conduite d'eau chaude, ou vous pouvez couper un trou supplémentaire de $1\frac{1}{2}$ po (3,8 cm) de diamètre dans la paroi du placard pour laisser passer le tuyau de vidange.

REMARQUE : Le trou doit être lisse sans angles vifs.

HAUTEUR DE LA CONNEXION DE VIDANGE

La méthode de connexion du drain dépend de la hauteur de la connexion du tuyau de vidange.

IMPORTANT : Si vous ne connectez pas le tuyau de vidange à une hauteur de 18 po avec un entrefer (non fourni) OU que vous ne créez pas une boucle de vidange d'une hauteur minimale de 32 po (81,3 cm), le lave-vaisselle ne se vidangera pas correctement.

CRITÈRES SUR L'ALIMENTATION EN EAU

- La pression de l'eau provenant de la conduite d'alimentation en eau chaude doit être comprise entre 20 à 120 psi (138 à 862 kPa).
- Le chauffe-eau doit être réglé à une température de l'eau de 49 °C à 65,5 °C (120 °F à 150 °F).
- Un coude de 90 ° doit être fixé à la vanne d'eau, avant la connexion de la conduite d'eau.
- Une conduite d'eau en cuivre de 3/8 po de diamètre et d'au moins 24 po (61 cm) de la paroi arrière et acheminée vers le côté avant gauche du lave-vaisselle.
- Une vanne d'arrêt manuelle dans un endroit accessible, tel que sous l'évier (facultatif, mais fortement recommandé).

EXIGENCES ÉLECTRIQUES



AVERTISSEMENT



Risque de choc électrique

- L'installation et le service doivent être effectués par un installateur qualifié ou une agence de service.
- Débranchez toujours l'alimentation avant d'effectuer l'entretien de cet appareil.
- Cet appareil doit être correctement mis à la terre.
- Ne pas le faire pourrait entraîner la mort, un incendie ou un choc électrique.

IMPORTANT :

- Le lave-vaisselle doit être alimenté en 120 volts, 60 Hz et raccordé à un circuit de dérivation dédié correctement mis à la terre, protégé par un disjoncteur de 15 ou 20 ampères ou un fusible temporisé.
- Un maximum de deux conducteurs d'alimentation de pose des canalisations in-situ (12 AWG maximum) plus un conducteur de mise à la terre sont autorisés dans la boîte à bornes.
- Utilisez uniquement du fil de cuivre.

- Le câblage doit être à 2 fils avec terre.
- Utiliser un réducteur de tension métallique homologué UL/CSA.
- Assurez-vous que la connexion électrique et la taille du fil sont adéquates et en conformité avec le Code national de l'électricité, ANSI/NFPA n ° 70 -dernière édition et tous les codes et règlements locaux.
- Si l'alimentation électrique ne répond pas aux exigences ci-dessus, appelez un électricien qualifié et agréé avant de continuer.

Instructions pour la mise à la terre :

- Le lave-vaisselle doit être connecté à un système de câblage permanent en métal mis à la terre ou un conducteur de mise à la terre de l'équipement doit être connecté aux conducteurs du circuit et connecté à la borne de mise à la terre de l'équipement ou mené au lave-vaisselle.

Connexions du cordon d'alimentation :

- Utilisez un cordon d'alimentation avec des connexions conformes à la section 422 du Code national de l'électricité et/ou aux codes et règlements locaux.
- La longueur de cordon recommandée est de 54 po min et 64 po max.
- Un ensemble de cordon d'alimentation # BK500 peut être acheté auprès d'un revendeur de pièces autorisé.

Connexions directes par câble :

- Utilisez un fil de cuivre gainé, blindé ou non métallique, souple avec un fil de mise à la terre conforme aux exigences de câblage de vos codes et règlements locaux.

INSTRUCTION D'INSTALLATION

IMPORTANT :

- Cet appareil doit être installé uniquement par un installateur, un plombier ou un technicien qualifié et conformément aux instructions d'installation du fabricant, aux codes et aux règlements nationaux et locaux en matière d'électricité et de plomberie.
- Le lave-vaisselle doit être installé pour pouvoir être retiré du boîtier si un service est requis.
- Chaque lave-vaisselle est testé en usine et peut contenir de l'eau résiduelle dans la cuve à la suite du test.

DÉBALLAGE DU LAVE-VAISSELLE

IMPORTANT : Si vous avez reçu un lave-vaisselle endommagé, vous devez immédiatement contacter votre revendeur ou votre constructeur.

AVERTISSEMENT



Risque de suffocation

- Pour éviter tout risque d'étouffement, gardez les sacs en plastique et autres matériaux d'emballage à l'écart des bébés et des enfants. N'utilisez pas ce sac dans les berceaux, les voitures et les parcs pour enfants. Le sac en plastique pourrait bloquer le nez et la bouche et empêcher la respiration. Ce sac n'est pas un jouet.
- Le non-respect de ces instructions peut entraîner la mort ou des lésions cérébrales.



AVERTISSEMENT

Risque de suffocation

- Avant de jeter votre ancien appareil, enlevez la porte ou le couvercle afin que les enfants ne puissent pas se cacher ou se coincer dans votre ancien appareil.
- Le non-respect de ces instructions peut entraîner la mort ou des lésions cérébrales.

1. Avec l'aide de deux personnes ou plus, ouvrez lentement la porte du lave-vaisselle pendant qu'une personne appuie sur le dessus du lave-vaisselle. Retirez le tuyau de vidange, le panier à vaisselle inférieur et tout le matériel d'emballage.
2. Localisez la documentation et lisez le manuel d'utilisation pour les instructions d'utilisation.
3. Fermez la porte du lave-vaisselle jusqu'à ce qu'elle soit verrouillée et redressez le lave-vaisselle.
4. Éliminez/recyclez correctement tous les matériaux d'emballage.

VÉRIFIER L'ÉQUILIBRE DE LA PORTE

Avec une autre personne tenant le lave-vaisselle pour l'empêcher de basculer, ouvrez lentement la porte.

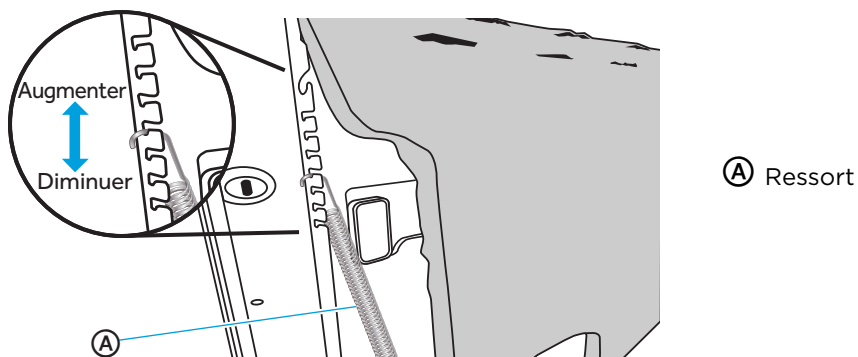
- Si la porte tombe lorsqu'elle est relâchée, augmentez la tension du ressort.
- Si la porte se ferme quand elle est relâchée, diminuez la tension du ressort.

Ajuster la tension du ressort :

1. En saisissant fermement le ressort, relevez ou abaissez l'extrémité du crochet jusqu'à la fente supérieure ou inférieure suivante, puis insérez le crochet dans la fente.

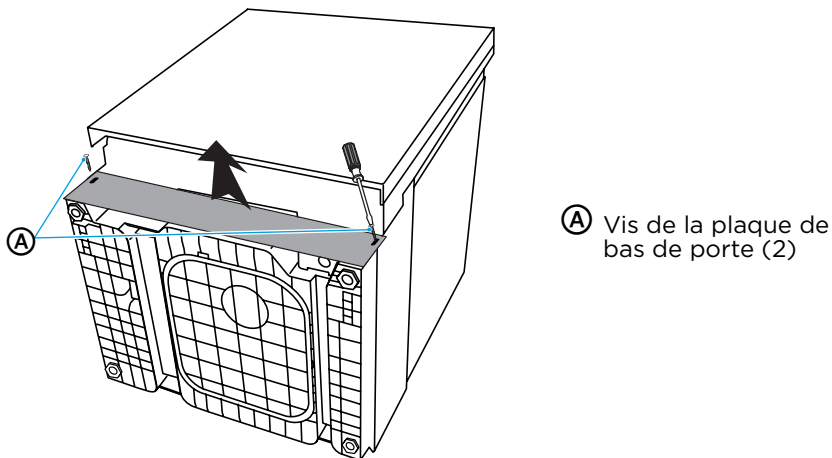
REMARQUE : Réglez les deux ressorts (côté gauche et côté droit) à la même tension.

2. Réessayez la démarche de vérification de l'installation de la porte. Continuez à déplacer les crochets à ressort plus haut ou plus bas jusqu'à ce que la porte soit en équilibre.



RETRAIT DE LA PLAQUE DE BAS DE PORTE

1. À l'aide d'un tournevis, retirez les deux vis qui fixent la plaque de bas de porte au placard.
2. Soulevez la plaque de bas de porte.

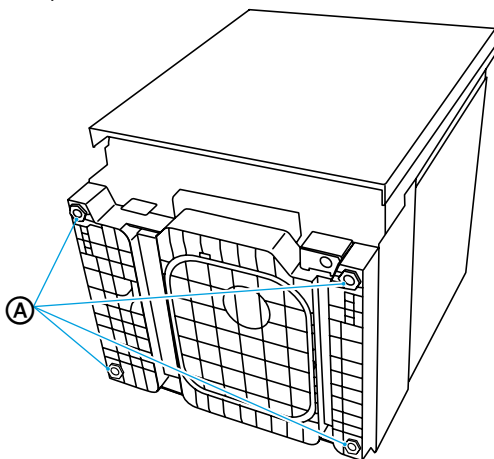


AJUSTER LES PIEDS DE NIVELLEMENT

1. Déplacez le lave-vaisselle près de l'emplacement d'installation et posez-le sur le dos.
2. Mesurez la hauteur de l'ouverture de la partie inférieure du comptoir au sol (point le plus bas).
3. Étendre les pieds de mise à niveau de la base du lave-vaisselle de la longueur indiquée dans le tableau suivant. Prendre en compte tout revêtement de sol qui peut être ajouté à l'ajustement du pied arrière.

REMARQUES :

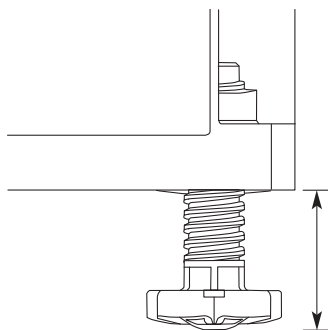
- Si le plancher a été construit pour l'avant du lave-vaisselle, tenez compte de cette différence lors du réglage des pieds de mise à niveau arrière.
- Les ajustements finaux du pied de mise à niveau seront effectués après l'installation dans l'ouverture.



Ⓐ Ajuster les pieds de mise à niveau à la hauteur d'installation

Ajuster les Pieds de Nivellement

Hauteur d'ouverture	Pieds avant	Pieds arrières
34"	0	0
34¼"	0	¼"
34½"	¼"	½"
34¾"	½"	¾"
35"	¾"	1"

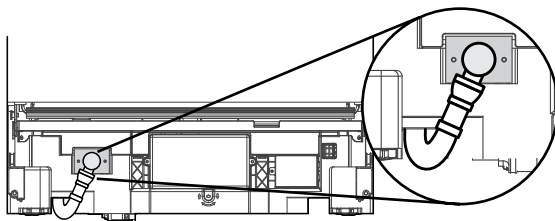


INSTALLEZ LE COUDE À 90 °

1. Envelopper le coude à 90 ° avec du ruban adhésif.

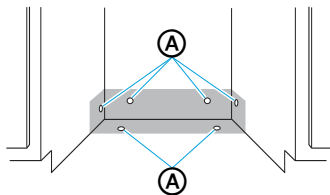
REMARQUES :

- N'utilisez pas de mastic de plombier.
 - Pour éviter d'endommager le support du robinet d'eau et/ou le raccord, ne serrez pas trop le coude.
2. Positionnez l'extrémité du coude de manière à ce qu'elle soit orientée vers le bas à gauche du lave-vaisselle.



PRÉPARER L'OUVERTURE DE L'INSTALLATION

- Le câblage et la tuyauterie peuvent entrer dans l'ouverture du côté droit ou gauche du mur arrière, des placards latéraux ou du plancher à l'intérieur de la zone ombrée. Voir "Condition d'emplacement" pour les dimensions.



Ⓐ Emplacements possibles des trous de service

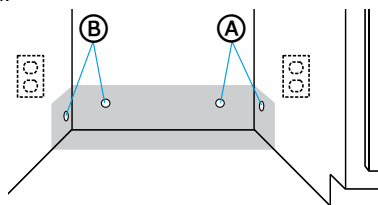
REMARQUE : La connexion du lave-vaisselle aux services publics sera plus facile si vous acheminez le câblage dans l'ouverture de l'installation à partir du côté droit et la plomberie à partir du côté gauche.

IMPORTANT : Toute conduite de plomberie ou de câblage électrique située à l'extérieur de la zone ombrée risque de se coincer.

- Le câble à fil direct peut entrer dans l'ouverture à travers le même trou que celui utilisé pour le tuyau de vidange et la conduite d'eau chaude, ou à travers un trou supplémentaire de 1½ po (3,8 cm) de diamètre.

REMARQUE : Le trou doit être exempt de bords tranchants. Si la paroi du meuble est en métal, le bord du trou doit être recouvert d'une douille/œillet.

- Les cordons d'alimentation avec une fiche DOIVENT traverser un autre trou.

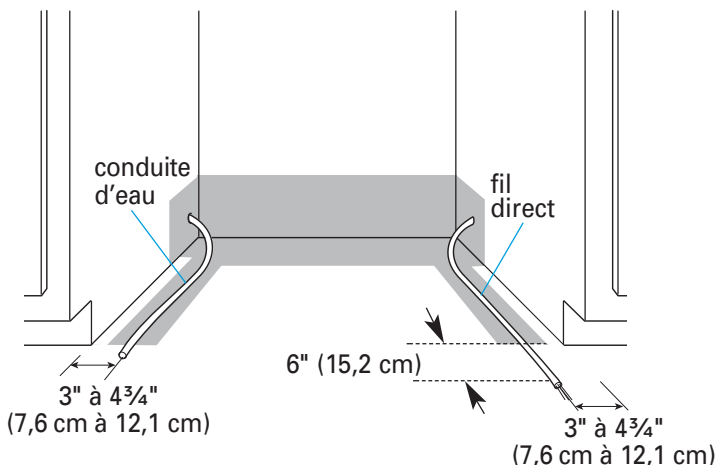


- Ⓐ Emplacements électriques préférés
- Ⓑ Emplacements de plomberie préférés

VÉRIFIER LES CONNEXIONS DU FOURNISSEUR EXISTANTES

CONNEXION D'EAU

1. Vérifiez que la conduite d'eau arrive à l'avant, côté gauche de l'ouverture où la connexion d'eau sera faite comme indiqué dans le diagramme suivant.



CONNEXION ÉLECTRIQUE

Connexion électrique au lave-vaisselle

1. Vérifiez que le câble métallique direct dépasse d'au moins 6 po au-delà de l'avant, du côté droit de l'ouverture, et qu'il est acheminé comme indiqué.

Si la conduite d'eau et le câble métallique direct vont assez loin pour se connecter facilement au lave-vaisselle, passez à la section suivante "Installation des supports de montage".

Si la conduite d'eau et le câble à fil direct ne vont PAS assez loin, suivez les instructions de la section "En l'absence de connexions du fournisseur existantes".

LORSQU'IL N'Y A AUCUNE CONNEXION DU FOURNISSEUR EXISTANTE

PRÉPAREZ-VOUS À CONNECTER L'ALIMENTATION

Connectez à l'alimentation électrique en utilisant l'une des deux méthodes suivantes : câble métallique direct (méthode 1) ou cordon d'alimentation (méthode 2). Suivez les instructions spécifiques à votre installation.

AVERTISSEMENT



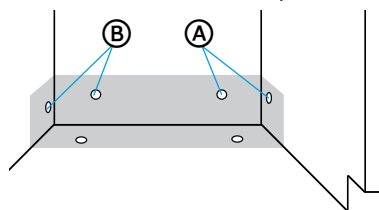
Risque de choc électrique

- Débranchez l'alimentation électrique de la boîte à fusibles ou du disjoncteur avant d'installer le lave-vaisselle.
- Ne pas le faire peut entraîner la mort ou un choc électrique.

Méthode 1 - Fil direct

1. Percez un trou de $\frac{3}{4}$ po (1,9 cm) dans le placard de droite, ou sur le côté droit du mur arrière ou du plancher de l'ouverture. Voir le graphique suivant pour les emplacements préférés et optionnels.

REMARQUE : Le câblage du lave-vaisselle sera plus facile si le fil est acheminé dans l'ouverture par le côté droit.



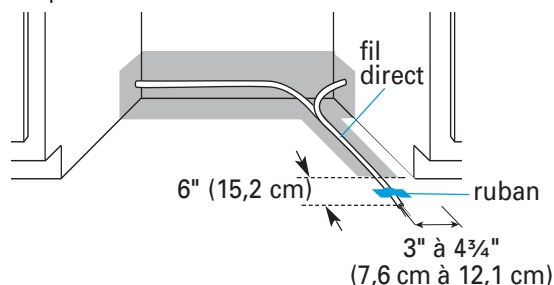
- Ⓐ Emplacements préférés
- Ⓑ Emplacements optionnels

2. Lisser ou couvrir les bords rugueux du trou que le câblage traversera.

Placard en bois - Poncer le bord du trou jusqu'à ce qu'il soit lisse.

Placard métallique - Couvrir le bord du trou avec un passe-fil (non fourni).

3. Faire passer le câble de l'alimentation électrique à travers le trou (le câble doit s'étendre vers l'avant, du côté droit de l'ouverture). Étendre le câble à 6 po (15,2 cm) à l'avant de l'appareil et fixer le câble au sol pour l'empêcher de bouger lorsque le lave-vaisselle est déplacé dans l'ouverture du placard.



Méthode 2 - Cordon d'alimentation

IMPORTANT :

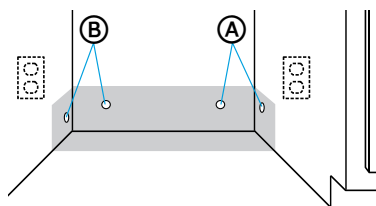
- Le cordon d'alimentation et les connexions doivent être conformes à la section 422 du Code national de l'électricité et/ou aux codes et règlements locaux. La longueur de cordon recommandée est de 54 po min et 64 po max.
- Une prise murale à trois broches, de type sol, est nécessaire dans un placard à côté de l'ouverture du lave-vaisselle.
- Un kit de cordon d'alimentation # BK500 peut être acheté auprès d'un revendeur de pièces autorisé.

1. Percez un trou de 1½ po (3,8 cm) à l'arrière ou sur le côté du placard. Les emplacements préférés et facultatifs sont indiqués dans le graphique suivant.
2. Lissez les bords du trou pour le cordon d'alimentation.

Placard en bois - Poncer les bords du trou jusqu'à obtention d'une surface lisse.

Placard métallique - Couvrir les bords du trou avec un œillet (non fourni).

3. Branchez le cordon d'alimentation au lave-vaisselle avant de le déplacer dans l'ouverture. Voir la section "Connexion de l'alimentation" pour la bonne technique d'installation.



- (A) Emplacements préférés
- (B) Emplacements optionnels



AVERTISSEMENT

Risque de choc électrique



- Branchez dans une prise à 3 broches reliée à la terre.
- Ne retirez pas la broche de terre de la fiche du cordon d'alimentation.
- N'utilisez pas un adaptateur.
- N'utilisez pas de rallonge.
- Ne pas le faire peut entraîner la mort, un incendie ou un choc électrique.

PRÉPARER À CONNECTER LA CONDUITE D'EAU

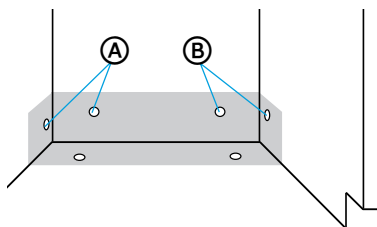
REMARQUE : L'acheminement de la conduite d'eau par le côté gauche de l'ouverture du placard facilitera la connexion de l'eau.

1. Percez un trou de 1,3 cm (½ po) du côté du placard, de l'arrière ou du plancher. Les emplacements préférés et optionnels sont indiqués dans le graphique suivant.

- Mesurer pour déterminer la longueur totale des tubes de cuivre requis pour la conduite d'eau.

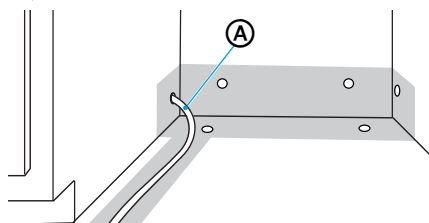
IMPORTANT : Introduire lentement le tube de cuivre dans le trou du placard. La tuyauterie en cuivre se plie et se tord facilement, alors manipulez la tuyauterie doucement.

- Attacher le tuyau de cuivre à la vanne d'arrêt manuelle.



- (A) Emplacements préférés
- (B) Emplacements optionnels

- Introduire lentement le tube de cuivre à travers le trou dans l'ouverture. Continuez d'introduire le tube, jusqu'à ce qu'il y ait suffisamment de longueur pour se connecter à l'entrée (avant, côté gauche du lave-vaisselle) tout en restant dans la limite requise.



- (A) Tube en cuivre

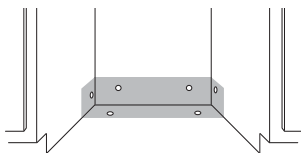
3" à 4¾"
(7,6 cm à 12,1 cm)

- Tourner lentement la vanne d'arrêt d'eau en position "ON". Rincer l'eau dans une cuve peu profonde pour éliminer les particules qui pourraient obstruer la soupape d'admission.
- Mettre le robinet d'arrêt sur la position "OFF".

PRÉPAREZ-VOUS À CONNECTER LE TUYAU DE VIDANGE

Le tuyau de vidange sera raccordé au système de vidange de la maison après l'installation du lave-vaisselle dans l'ouverture.

- Percez un trou de 1½ po (3,8 cm) dans le mur ou le plancher du meuble sur le côté de l'ouverture le plus proche de l'évier.



INSTALLER LES SUPPORTS DE MONTAGE

IMPORTANT : Le lave-vaisselle doit être fixé avec des supports de montage sur le comptoir ou les placards adjacents pour l'empêcher de basculer lorsque la porte est ouverte.

Certains matériaux de comptoir, tels que le granite, n'acceptent pas les vis; et par conséquent, ne se prêtent pas à une installation de comptoir.

Suivez les instructions pour installer les supports de montage de la manière requise pour votre méthode d'installation. Vous allez fixer le lave-vaisselle après qu'il soit connecté aux services publics et déplacé dans l'ouverture.

AVERTISSEMENT

Risque de poids excessif

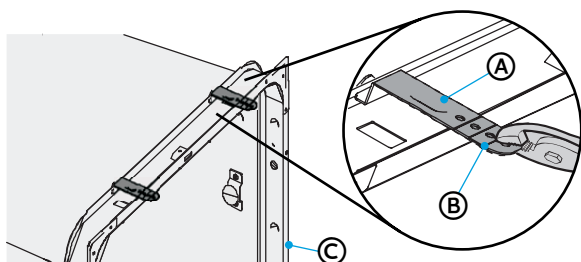
- Ayez deux personnes ou plus pour déplacer et installer le lave-vaisselle.
- Ne pas le faire peut entraîner une blessure au dos ou d'autres types de blessures.

Méthode 1 - Installation sur le comptoir

Pour vous permettre de fixer le lave-vaisselle au comptoir, installez deux agrafes de verrouillage sur le dessus du lave-vaisselle.

1. Avec l'aide de deux personnes ou plus, tenez le lave-vaisselle à la verticale.
2. Insérez les agrafes de verrouillage dans les fentes avant et supérieures du lave-vaisselle.

REMARQUE : Les clips de fixation supérieurs ont un point de rupture, de sorte qu'une section de l'agrafe peut être retirée, si nécessaire, pour s'adapter à la profondeur du placard.



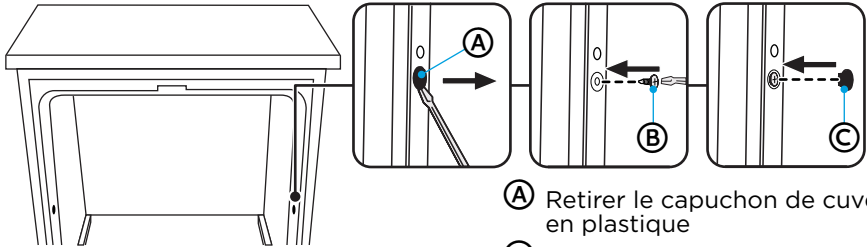
- (A) Agrafes de verrouillage
- (B) Point de rupture
- (C) Bride de cuve

Méthode 2 - Installation aux placards adjacents

1. Retirez les capuchons en plastique de l'intérieur de la cuve du lave-vaisselle..
2. Enfoncez une vis à bois dans le trou sur le côté du lave-vaisselle dans le cadre de l'armoire.

IMPORTANT : Enfoncez les vis droites et affleurantes. Les têtes de vis saillantes rayeront le côté du lave-vaisselle. Cette méthode consiste à fixer le lave-vaisselle sur le côté de l'armoire, et elle doit être effectuée lorsque le plan de travail est en granit ou en d'autres matériaux cassables.

3. Réinsérez les bouchons de baignoire en plastique.



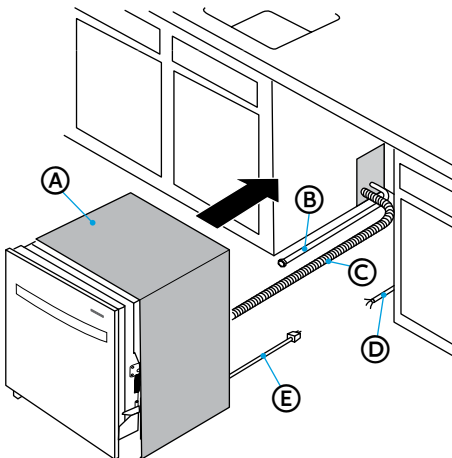
- (A) Retirer le capuchon de cuve en plastique
- (B) Vis
- (C) Réinsérez le capuchon de baignoire en plastique

! ATTENTION

Ne pas trop serrer les vis latérales.

CONNECTEZ LE TUYAU DE VIDANGE AU LAVE-VAISSELLE

1. Saisissez les côtés du lave-vaisselle sur les bords du panneau de la porte et placez le lave-vaisselle devant l'ouverture.
2. Insérez le tuyau de vidange dans le trou de la paroi du placard.
3. Fixez le tuyau de vidange à l'arrière du lave-vaisselle et fixez-le à l'aide d'un collier de serrage.



- (A) Couverture d'isolation
- (B) Conduite d'eau
- (C) Tuyau de vidange (longueur maximale 10 pi [3,0 m])
- (D) Câblage de maison
- (E) Cordon d'alimentation (si utilisé)

FAITES GLISSER LE LAVE-VAISSELLE PARTIELLEMENT DANS L'OUVERTURE

AVERTISSEMENT

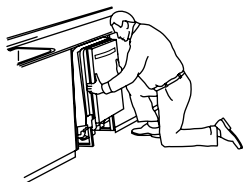


Risque de basculement

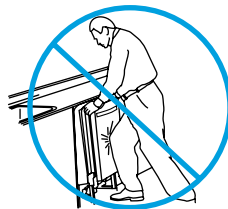
- N'utilisez pas le lave-vaisselle avant d'être complètement installé.
- N'appuyez pas sur la porte ouverte.
- Cela pourrait entraîner des blessures graves ou des coupures.

1. Positionnez l'alimentation électrique.
 - Si le lave-vaisselle est équipé d'un cordon d'alimentation, insérez le cordon d'alimentation dans le trou pratiqué dans le placard.
 - Si vous utilisez une connexion à fil direct, vérifiez que le câblage est sur le côté avant-droit de l'ouverture.
2. Assurez-vous que le tuyau de vidange n'est pas plié sous le lave-vaisselle et qu'il n'y a aucune interférence avec la conduite d'eau, le câblage ou tout autre composant.
3. Déplacer lentement le lave-vaisselle dans l'ouverture de quelques centimètres à la fois. Pendant que vous continuez, tirez le tuyau de vidange, le tuyau d'alimentation en eau et le cordon à travers l'ouverture sous l'évier ou le placard. Arrêtez de pousser lorsque le lave-vaisselle est à quelques centimètres devant les placards adjacents.

REMARQUE : Ne poussez pas contre l'avant du panneau ou sur la console - ils auront des bosses.



Repositionnez le lave-vaisselle en saisissant les deux côtés avec les mains.



Ne poussez pas contre le panneau de porte avant avec le genou. Des dommages au panneau de la porte se produiront.

4. Poussez complètement le lave-vaisselle dans l'ouverture de sorte que les coins avant de la porte du lave-vaisselle affleurent les portes du placard.

REMARQUE : Tout va bien si le lave-vaisselle s'emboîte bien dans l'ouverture du placard. Ne retirez pas la couverture isolante - la couverture réduit le niveau sonore.

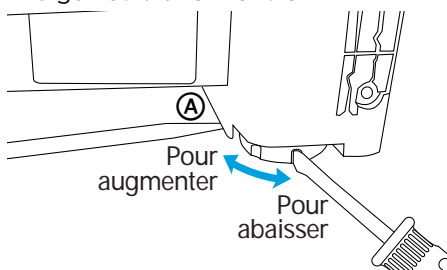
MISE À NIVEAU DU LAVE-VAISSELLE

IMPORTANT : Le lave-vaisselle doit être mis à niveau pour un bon fonctionnement du panier à vaisselle et des performances de lavage.

1. Mettez le lave-vaisselle à niveau de sorte que son panneau avant soit aligné avec les portes adjacentes du placard.

REMARQUE : Avec certaines installations, il peut être plus facile d'ajuster le pied avant à l'aide d'un tournevis à lame plate.

- Pour abaisser - Tournez la patte de mise à niveau dans le sens antihoraire.
- Pour augmenter - Tournez le pied de mise à niveau dans le sens des aiguilles d'une montre.

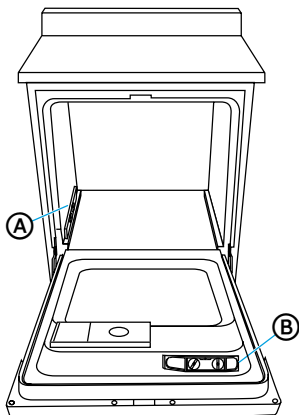


Ⓐ Soulever un côté du lave-vaisselle

2. Vérifiez que les pieds de nivellement sont fermement contre le sol.
3. Fermez et verrouillez la porte et placez le niveau contre le panneau avant. Vérifiez que le lave-vaisselle est à l'aplomb. Si nécessaire, ajustez le pied de mise à niveau ou ajoutez des cales jusqu'à ce que le lave-vaisselle soit à l'aplomb.

REMARQUE : Les cales doivent être solidement fixées au plancher pour empêcher leur mouvement lorsque le lave-vaisselle est utilisé.

4. Refaites la même chose pour l'autre côté du lave-vaisselle.
5. Placez le niveau sur la porte et la glissière dans la cuve comme indiqué. Vérifiez que le lave-vaisselle est de niveau d'un côté à l'autre et d'arrière en avant. Si le lave-vaisselle n'est pas de niveau, réglez les pieds avant vers le haut ou vers le bas jusqu'à ce que le lave-vaisselle soit de niveau.



Ⓐ Niveau avant à arrière

Ⓑ Niveau côté à côté

REMARQUE : Tirez le panier inférieur vers le milieu. Si le panier roule vers l'avant ou vers l'arrière dans le lave-vaisselle, le lave-vaisselle doit être de nouveau nivelé.

CONNECTEZ-VOUS À L'ALIMENTATION

CÂBLE MÉTALLIQUE DIRECT

AVERTISSEMENT

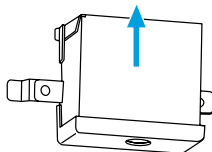


Risque de choc électrique

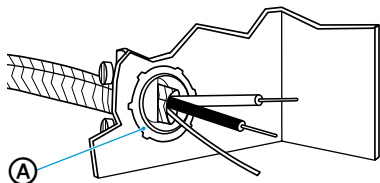
- Lave-vaisselle mis à terre électriquement.
- Connectez le fil de terre au connecteur de terre vert dans la boîte à bornes.
- N'utilisez pas de rallonge.
- Le non-respect de ces instructions peut entraîner la mort, un incendie ou un choc électrique.

IMPORTANT : Contacter un électricien qualifié. Assurez-vous que la connexion électrique et la taille du fil sont adéquates et en conformité avec le Code national de l'électricité, ANSI/NFPA n ° 70 -dernière édition et tous les codes et règlements locaux.

1. Confirmez que l'alimentation est coupée à la source.
2. Retirez le couvercle de la boîte à bornes. Conserver pour usage ultérieur.

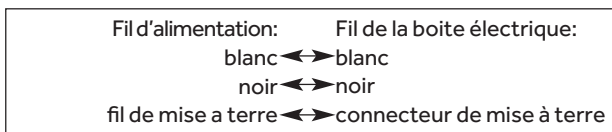


3. Installer un réducteur de tension homologué UL/CSA.
4. Acheminez le câble à fil direct dans le canal sur le côté droit de la base du lave-vaisselle. Assurez-vous que le lave-vaisselle ne repose pas sur et/ou ne coince pas le fil.
5. Tirer le fil direct à travers la décharge de traction dans la boîte à bornes.

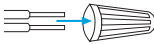
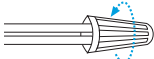




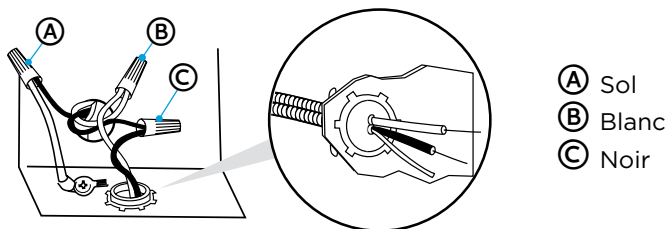
(A) Réducteur de tension

6. Branchez les fils comme suit en utilisant les écrous de fil homologués UL de la taille appropriée pour connecter le fil direct au fil du lave-vaisselle de calibre 16.

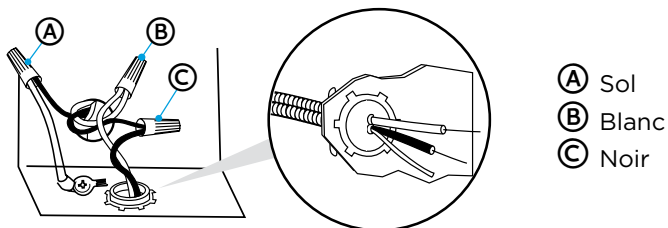


REMARQUES :

- Utilisez des serre-fils homologués UL de la taille appropriée pour raccorder le câblage domestique au câblage du lave-vaisselle de calibre 16. 
- Insérez les extrémités des fils dans le connecteur de torsion. Ne pas prétordre le fil nu. 
- Tordre le connecteur. 
- Tirez doucement sur les fils pour vous assurer que les deux fils sont bien fixés. 



7. Serrez les vis de décharge de traction pour fixer le cordon.
8. Réinstallez le couvercle de la boîte à bornes avec les écrous dans la boîte à bornes.
9. Assurez-vous que les fils ne sont pas pincés par le couvercle.



CONNECTEZ LE CORDON D'ALIMENTATION

AVERTISSEMENT

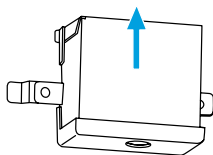


Risque de choc électrique

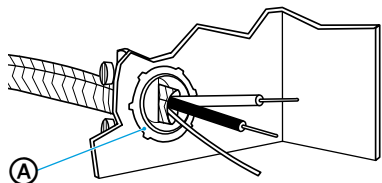
- Branchez dans une prise à 3 broches reliée à la terre.
- Ne retirez pas la broche de terre de la fiche du cordon d'alimentation.
- N'utilisez pas un adaptateur.
- N'utilisez pas de rallonge.
- Ne pas le faire peut entraîner la mort, un incendie ou un choc électrique.

IMPORTANT : Le cordon d'alimentation et les connexions doivent être conformes à la section 422 du Code national de l'électricité et/ou aux codes et règlements locaux. La longueur de cordon recommandée est de 54 po min et 64 po max.

1. Confirmez que l'alimentation est coupée à la source.
2. Retirez le couvercle de la boîte de jonction. Conserver pour usage ultérieur.



3. Installez un réducteur de tension homologué UL/CSA.
4. Acheminez le cordon d'alimentation dans le canal sur le côté droit de la base du lave-vaisselle. Assurez-vous que le lave-vaisselle ne repose pas sur et/ou ne coince pas le fil.
5. Tirez le cordon d'alimentation à travers la décharge de traction dans la boîte de jonction.



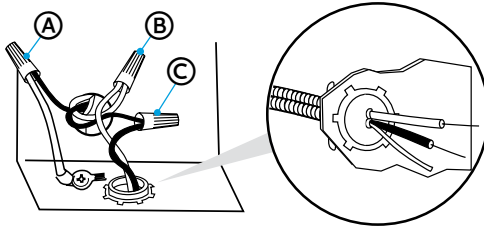
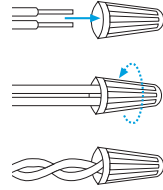
A Réducteur de tension

6. Connectez les fils comme suit en utilisant des écrous de fil homologués UL de la taille appropriée pour connecter le cordon d'alimentation au fil du lave-vaisselle de calibre 16.

Fil d'alimentation:	Fil de la boîte électrique:
blanc	↔ blanc
noir	↔ noir
fil de mise a terre	↔ connecteur de mise à terre

REMARQUES :

- Utilisez des écrous cUL/UL de la taille appropriée pour raccorder le cordon d'alimentation au câblage du lave-vaisselle de calibre 16.
- Insérez les extrémités des fils dans l'écrou de fil. Ne pas prétordre le fil dénudé.
- Tournez le serre-fil.
- Tirez doucement sur les fils pour vous assurer que les deux fils sont bien fixés.



- (A) Sol
- (B) Blanc
- (C) Noir

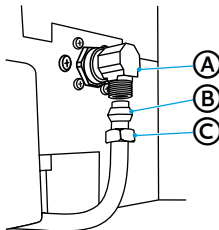
7. Serrez les vis de réduction de tension pour fixer le cordon d'alimentation.
8. Guidez doucement les écrous de fil dans la boîte de jonction, puis remplacez le couvercle de la boîte de jonction en veillant à ne pas pincer les fils.

CONNECTEZ À L'APPROVISIONNEMENT EN EAU

IMPORTANT : Manipuler et repositionner doucement les tubes en cuivre; il se plie et boucle facilement.

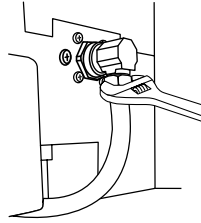
1. Connectez la conduite d'alimentation en eau au coude à 90 °.
 - Faites glisser l'écrou sur le tube en cuivre, à environ 1 po (2,5 cm) de l'extrémité, puis faites glisser le robinet de prise sur le tube, ne le placez pas sur l'extrémité de la tubulure.
 - Insérez le tube de cuivre dans le coude aussi loin que possible.
 - Faites glisser l'écrou et le robinet de prise vers l'avant, puis commencez à visser l'écrou sur le coude.

IMPORTANT : Ne pas souder à moins de 6 po (15,2 cm) de la vanne d'entrée d'eau.



- (A) Coude
- (B) Robinet de prise
- (C) Écrou de compression

- Acheminer la conduite d'alimentation en eau dans le canal sur le côté gauche de la base. Pour minimiser le bruit causé par les vibrations lors de l'utilisation du lave-vaisselle, assurez-vous que la ligne d'alimentation ne touche pas la base, le cadre ou le moteur du lave-vaisselle. Assurez-vous que le lave-vaisselle ne repose pas sur et/ou ne coince pas la conduite d'alimentation.
- Serrez l'écrou de compression jusqu'à ce qu'il soit bien serré. Ne pas trop serrer.
- Placez un essuie-tout sous le coude, puis ouvrez l'alimentation en eau pour vérifier s'il y a des fuites.



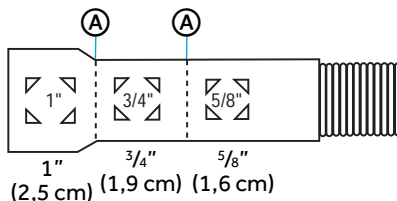
SE CONNECTER AU SYSTÈME DE VIDANGE DE LA MAISON

- Connectez le tuyau de vidange au té de récupération ou à l'élimination des déchets en utilisant l'une des méthodes suivantes.
 - **Option 1** – Élimination des ordures - Avec entrefer
 - **Option 2** – Aucune élimination des ordures - Avec un entrefer
 - **Option 3** – Élimination des ordures - Pas d'entrefer *
 - **Option 4** – Pas d'élimination des ordures - Pas d'entrefer *

*un entrefer est recommandé

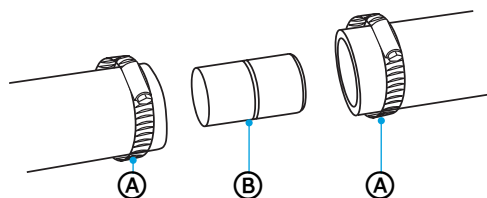
IMPORTANT :

- Toujours utiliser un nouveau tuyau de vidange lors de l'installation d'un nouveau lave-vaisselle.
 - La longueur totale du tuyau de vidange ne doit pas dépasser 10 pi (3,05 m), pour un fonctionnement correct du drain.
 - Pour minimiser le bruit causé par les vibrations lors de l'utilisation du lave-vaisselle, acheminez le tuyau de vidange de manière à éviter tout contact avec le sol et le bord du trou dans le placard à travers lequel passe le tuyau.
- L'extrémité moulée du tuyau de vidange s'adapte à des raccords de $\frac{3}{8}$ po (1,6 cm), de $\frac{3}{4}$ po (1,9 cm) ou de 1 po (2,5 cm) de diamètre sur un entrefer, un té de vidage ou une élimination. Coupez sur les lignes marquées comme requis pour votre installation.



Ⓐ Lignes de coupe

REMARQUE : Utilisez un tuyau de $\frac{3}{8}$ po ou $\frac{7}{8}$ po de diamètre intérieur et un coupler pour raccorder les deux extrémités du tuyau. Fixez la connexion avec des colliers de serrage si une extension est requise.



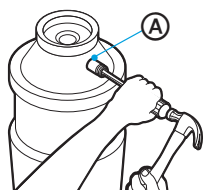
(A) Collier de serrage

(B) Coupler

- Fixez le tuyau de vidange à l'entrefer, le té de vidange ou l'élimination des déchets avec des pinces.

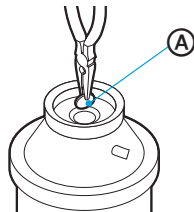
Option 1 - (Élimination des ordures - Avec entrefer) :

- Retirez le bouchon de vidange de l'orifice d'évacuation. À l'aide d'un tournevis et d'un marteau, appuyez fermement sur la prise. La prise se séparera et tombera dans le rejet.



(A) Orifice d'admission des déchets

- Retirez le bouchon de vidange de l'élimination.

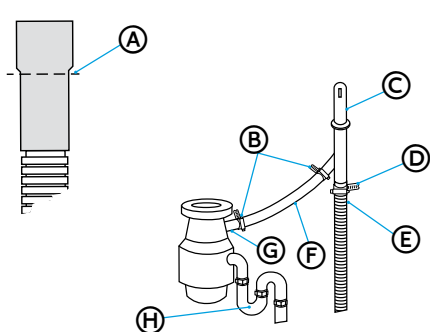


(A) Bouchon de vidange des déchets

IMPORTANT : Si vous devez couper le tuyau de vidange en fonction du diamètre de la connexion, ne couper que l'extrémité en caoutchouc du tuyau, comme indiqué plus haut dans cette section (ne pas couper dans la section striée).

- À l'aide d'une pince à vis *, fixez le tuyau de vidange à l'entrefer. Couper l'extrémité en caoutchouc du tuyau, au besoin.
- Utilisez un raccord de tuyau en caoutchouc * avec une pince à vis * pour raccorder l'entrefer à l'entrée d'évacuation des déchets.

REMARQUE : Cette connexion doit être située avant le siphon et au moins 20 po (50,8 cm) au-dessus du sol où le lave-vaisselle sera installé.



- (A) Tuyau de vidange – Coupez ici, le cas échéant
- (B) Vis-Type de pince
- (C) Entrefer
- (D) Vis-Type de pince
- (E) Tuyau de vidange
- (F) Raccord de tuyau en caoutchouc
- (G) Orifice d'entrée des déchets
- (H) Siphon

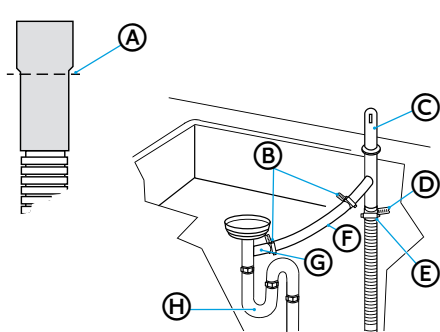
*Pièces disponibles auprès du magasin de fournitures de plomberie local.

Option 2 - (Pas d'élimination des ordures - Avec entrefer) :

IMPORTANT : Si vous devez couper le tuyau de vidange en fonction du diamètre de la connexion, ne coupez que l'extrémité en caoutchouc du tuyau, comme indiqué plus haut dans cette section (ne pas couper dans la section striée).

1. Fixez le tuyau de vidange à l'entrefer avec une grande pince à vis. Couper l'extrémité en caoutchouc du tuyau de vidange, au besoin.
2. Utilisez un raccord de tuyau en caoutchouc * avec des pinces à ressort ou à vis * pour raccorder l'entrefer à l'entrée d'évacuation des déchets.

REMARQUE : Cette connexion doit être située avant le siphon et au moins 20 pi (50,8 cm) au-dessus du sol où le lave-vaisselle sera installé.

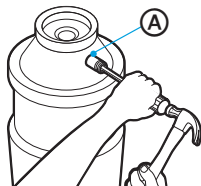


- (A) Tuyau de vidange – Coupez ici, le cas échéant
- (B) Vis-Type de pince
- (C) Entrefer
- (D) Vis-Type de pince
- (E) Tuyau de vidange
- (F) Raccord de tuyau en caoutchouc
- (G) Té de vidage
- (H) Siphon

*Pièces disponibles auprès du magasin de fournitures de plomberie local.

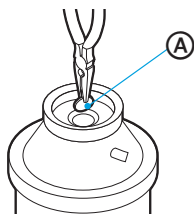
Option 3 - (Élimination des ordures - Pas d'entrefer) :

1. Retirez le bouchon de vidange de l'orifice d'évacuation. À l'aide d'un tournevis et d'un marteau, appuyez fermement sur la prise. La prise se séparera et tombera dans les déchets.



(A) Orifice d'admission des déchets

2. Retirez le bouchon de vidange de l'élimination.



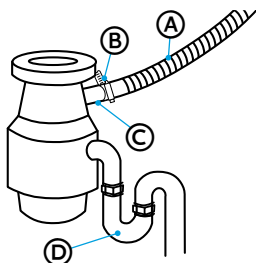
(A) Bouchon de vidange des déchets

IMPORTANT : Si vous devez couper le tuyau de vidange en fonction du diamètre de la connexion, ne couper que l'extrémité en caoutchouc du tuyau, comme indiqué plus haut dans cette section (ne pas couper dans la section striée).

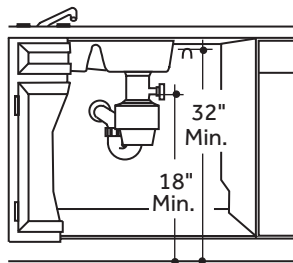
3. À l'aide d'une pince à vis *, fixez le tuyau de vidange à l'entrée d'évacuation des déchets.

REMARQUES :

- Cette connexion doit être située avant le siphon et au moins 20 po (50,8 cm) au-dessus du sol où le lave-vaisselle sera installé.
- Il est recommandé que le tuyau de vidange soit bouclé et solidement fixé au-dessous du comptoir à une hauteur minimale de 32 po (81,3 cm).



(A) Tuyau de vidange
(B) Vis-Type de pince
(C) Orifice d'admission des déchets
(D) Siphon



*Pièces disponibles auprès du magasin de fournitures de plomberie local.

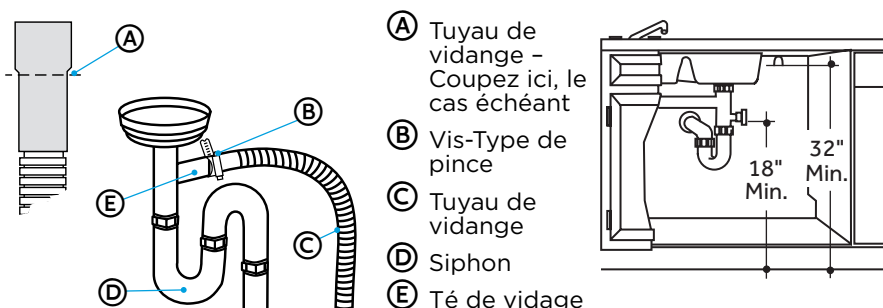
Option 4 - (Pas d'élimination des ordures - Pas d'entrefer) :

IMPORTANT : Si vous devez couper le tuyau de vidange en fonction du diamètre de la connexion, ne couper que l'extrémité en caoutchouc du tuyau, comme indiqué plus haut dans cette section (ne pas couper dans la section striée).

1. Fixer le tuyau de vidange au té de vidange avec une pince à vis de 1½ à 2 po (3,2 à 2 cm)*.

REMARQUES :

- Cette connexion doit être située avant le siphon et au moins 20 po (50,8 cm) au-dessus du sol où le lave-vaisselle sera installé.
- Il est recommandé que le tuyau de vidange soit bouclé et solidement fixé au-dessus du comptoir à une hauteur minimale de 32 po (81,3 cm).



*Pièces disponibles auprès du magasin de fournitures de plomberie local.

LAVE-VAISSELLE SÉCURISÉ

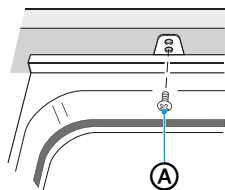
Pour fixer le lave-vaisselle au comptoir (méthode 1) ou au placard (méthode 2), suivez les instructions pour la méthode spécifique à votre installation.

Méthode 1 - Installation sur le comptoir

Fixez le lave-vaisselle sur le comptoir en utilisant les deux clips de montage installés sur le dessus du lave-vaisselle.

1. Ouvrez le lave-vaisselle, enlevez le panier à vaisselle inférieur et placez une serviette sur les filtres, situés au bas de la cuve, pour éviter que des débris ne tombent dans le système de pompe.
2. Vérifiez que le lave-vaisselle est de niveau et centré d'un côté à l'autre de l'ouverture afin d'éviter toute interférence avec les placards adjacents lors de l'ouverture ou de la fermeture de la porte.
3. Vérifiez que la bride de la cuve est alignée avec la face avant du cadre de l'armoire.

- À l'aide de deux vis cruciformes (fournies), fixez les deux attaches de fixation sur le dessus du lave-vaisselle sur le dessus du comptoir.



A #8 x 5/8 po Vis cruciformes à tête plate

- Ouvrez la porte d'environ 3 po (7,6 cm) et vérifiez que l'espace entre la porte intérieure et la cuve est égal des deux côtés.
- Si l'espacement n'est pas égal, desserrer les vis du clip de montage et déplacer la cuve. Resserrez les vis du support.
- Vérifiez que le haut de la porte ne touche pas les vis, les agrafes de verrouillage ou le comptoir. Si c'est le cas, le lave-vaisselle doit être abaissé et nivelé à nouveau. Voir "Nivelier le lave-vaisselle".

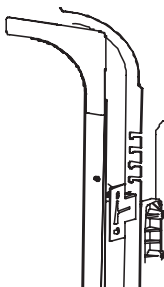
REMARQUES

- Insérez les vis linéairement et rincez. Les têtes de vis en saillie risquent de rayer le dessus du panneau de commande et d'interférer avec la fermeture de la porte.
 - Si l'espacement n'est pas égal, desserrer les vis du support et déplacer la cuve. Resserrez les vis du support.
- Enlevez la serviette du lave-vaisselle.
 - Réinstallez le panier inférieur.

Méthode 2 - Installation aux armoires adjacentes

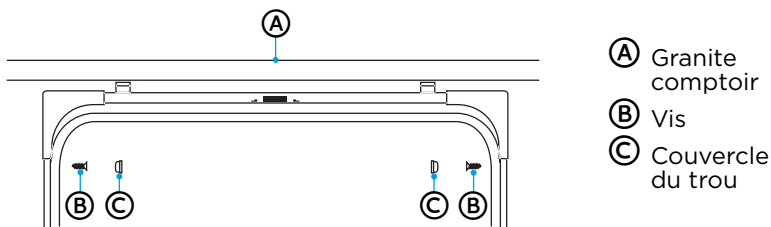
Fixez le lave-vaisselle aux armoires adjacentes à l'aide des supports de montage latéraux.

- Ouvrez le lave-vaisselle, enlevez le panier à vaisselle inférieur et placez une serviette sur les filtres, situés au bas de la cuve, pour éviter que des débris ne tombent dans le système de pompe.
- Insérez une agrafe dans la fente (une de chaque côté) du lave-vaisselle.

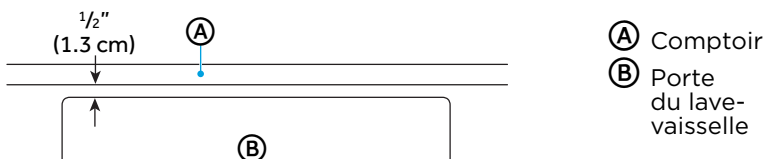


- Ouvrez la porte du lave-vaisselle. À l'aide d'un tournevis à lame plate ou d'un outil de protection, enlevez les couvercles de trous (un de chaque côté).
- Insérez les vis dans le support de montage latéral du lave-vaisselle et dans l'armoire adjacente de chaque côté.

5. Réinstallez les couvercles de trou.



6. Fermez la porte du lave-vaisselle et vérifiez que l'espace entre le comptoir et le dessus de la porte du lave-vaisselle est d'au moins ¼ po (0,64 cm).



7. Enlevez la serviette du lave-vaisselle.
8. Réinstallez le panier inférieur.

LISTE DE CONTRÔLE AVANT LE TEST

1. Vérifiez que l'alimentation est coupée.
2. Vérifiez l'ouverture et la fermeture de la porte. Si la porte ne s'ouvre pas et ne se ferme pas ou a tendance à tomber, vérifiez les réglages du ressort. Voir "Vérifier l'équilibre de la porte".
3. Vérifiez que le câblage est bien fixé sous le lave-vaisselle et qu'il n'est pas pincé ou en contact avec les ressorts de porte ou d'autres composants. Voir "Positionner la conduite d'eau et le câblage de la maison".
4. Vérifiez l'alignement de la porte avec la cuve. Si la porte touche la cuve, nivelez le lave-vaisselle. Voir "Niveler lave-vaisselle".
5. Tirez sur le panier inférieur, à mi-chemin. Vérifiez que le panier ne retourne pas dans le lave-vaisselle ou avance sur la porte. Si le panier se déplace, ajustez les pieds de mise à niveau. Voir "Niveler le lave-vaisselle".
6. Vérifiez l'alignement de la porte avec le placard. Si la porte heurte l'armoire, repositionnez ou nivelez le lave-vaisselle. Voir "Niveler le lave-vaisselle".
7. Vérifiez que les conduites d'alimentation en eau et de vidange ne sont pas pliées ou en contact avec d'autres composants.
8. Allumez le robinet d'eau chaude de l'évier et vérifiez la température de l'eau. La température de l'eau entrante doit être comprise entre 49 °C et 65 °C (120 °F et 150 °F). Une température minimum de 49 °C (120 °F) est requise pour une meilleure performance de lavage.

9. Ajouter 1,9 litre d'eau au fond du lave-vaisselle pour lubrifier le joint de la pompe.
10. Activer l'approvisionnement en eau. Vérifiez les fuites. Resserrer les connexions si nécessaires.
11. Retirez le film protecteur, s'il est présent, du panneau de commande et de la porte.

TEST LAVE-VAISSELLE

AVERTISSEMENT



Risque de choc électrique

- Lave-vaisselle mis à la terre électriquement.
- Connectez le fil de terre au connecteur de terre vert dans la boîte à bornes.

En cas de connexion avec un cordon d'alimentation :

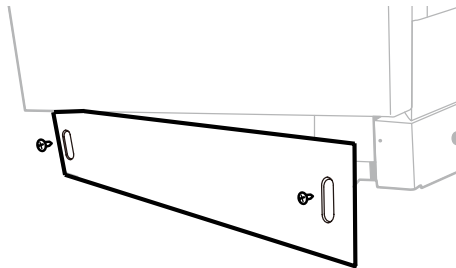
- Branchez dans une prise à trois broches reliée à la terre.
- N'utilisez pas un adaptateur.
- Ne retirez pas la broche de terre de la fiche du cordon d'alimentation.
- N'utilisez pas de rallonge.
- Le non-respect de ces instructions peut entraîner la mort, un incendie ou un choc électrique.

- Si vous utilisez un câble à câble direct, mettez l'appareil sous tension.
 - Si vous utilisez un cordon d'alimentation, branchez le cordon dans une prise à trois broches reliée à la terre. Assurez-vous que le cordon d'alimentation ne touche pas le moteur ou la partie inférieure de la cuve du lave-vaisselle, puis mettez l'appareil sous tension.
1. Connectez à l'alimentation électrique.
 2. Sur le panneau de commande, appuyez sur les commandes nécessaires pour démarrer le cycle le plus court. Voir le manuel d'utilisation pour les instructions.
 3. Fermez la porte du lave-vaisselle dans les 4 secondes qui suivent la pression sur START.
 4. Après les 2 premières minutes, ouvrez la porte. Vérifiez qu'il y a de l'eau au fond de la cuve du lave-vaisselle. Si l'eau n'est pas entrée dans le lave-vaisselle, vérifiez que l'eau et les alimentations électriques sont allumées.
 5. Vérifiez les fuites sous le lave-vaisselle. Si une fuite est détectée, couper l'alimentation et l'alimentation en eau, puis resserrer les connexions. Rétablir la puissance après correction de la fuite.

6. Vérifiez les fuites autour de la porte. Une fuite autour de la porte pourrait être causée par un frottement de la porte ou une collision avec des armoires adjacentes. Repositionnez le lave-vaisselle, si nécessaire.
7. Lorsque le lave-vaisselle est en cours de vidange, vérifiez les conduites de vidange. Si des fuites sont détectées, éteignez le disjoncteur et corrigez la tuyauterie au besoin. Restaurez la puissance après les corrections.
8. Ouvrez la porte du lave-vaisselle et assurez-vous que la majeure partie de l'eau s'est écoulée. Si ce n'est pas le cas, vérifiez que le bouchon d'évacuation a été retiré et/ou que l'entrefer n'est pas bouché. Vérifiez également la ligne de vidange pour le vrillage.
9. Faites fonctionner le lave-vaisselle à travers un autre cycle de remplissage et de vidange. Vérifiez les fuites et corrigez, si nécessaire.

REEMPLACER LA PLAQUE DE BAS DE PORTE

1. Placez la plaque de bas de porte contre les pieds du lave-vaisselle. Les fentes dans la plaque de bas de porte doivent être alignées avec les trous de vis dans le support. Laissez le bord inférieur de la plaque de protection toucher le sol.
2. Fixez la plaque de protection au lave-vaisselle à l'aide de vis (fournies).





INSTRUCCIONES DE INSTALACIÓN

Lavavajillas

Fuente de alimentación: 120 V

Potencia nominal: 1000 W

Frecuencia: 60Hz

Capacidad: 14 cubiertos



Instalador: asegúrese de dejar estas "instrucciones" para el uso del consumidor y del inspector local.

Propietario: Guarde estas instrucciones con su Manual de usuario para referencia futura.

SEGURIDAD DEL LAVAVAJILLAS.....	3
REQUISITOS DE INSTALACIÓN.....	5
Herramientas y piezas	5
Puntos clave de conexión	7
Requisitos de ubicación.....	7
Requisitos de drenaje	9
Requisitos de suministro de agua.....	10
Requisitos eléctricos.....	10
INSTRUCCIONES DE INSTALACIÓN.....	11
Desempaque del lavavajillas	12
Verificación del equilibrio de la puerta.....	12
Extracción de la placa protectora.....	13
Regulación de las patas niveladoras.....	14
Instalación de codo de 90°	15
Preparación de la abertura de instalación	15
Verificación de conexiones de electricidad o plomería existentes.....	16
Cuando no hay conexiones existentes de electricidad y plomería	17
Instalación de escuadras	20
Conexión de la manguera de desagüe al lavavajillas.....	22
Deslizamiento parcial del lavavajillas hacia la abertura.....	23
Nivelación del lavavajillas	24
Conexión a la fuente de alimentación	25
Conexión al suministro de agua.....	28
Conexión al sistema de desagüe doméstico.....	29
Montaje del lavavajillas.....	33
Lista de verificación antes de probar el lavavajillas.....	35
Prueba del lavavajillas.....	36
Recolocación de la placa protectora	37

SEGURIDAD DEL LAVAVAJILLAS

SU SEGURIDAD Y LA SEGURIDAD DE LOS DEMÁS SON MUY IMPORTANTES

Para prevenir lesiones del usuario y otras personas y daños materiales, se deben seguir las instrucciones que se muestran debajo. El funcionamiento incorrecto por ignorar las instrucciones puede causar daños o heridas, e incluso la muerte.

El nivel de riesgo se muestra según las siguientes indicaciones.



ADVERTENCIA

Este símbolo indica la posibilidad de muerte o heridas graves.



PRECAUCIÓN

Este símbolo indica la posibilidad de lesiones o daños a la propiedad.



ADVERTENCIA

Este símbolo indica que existe la posibilidad de voltaje peligroso con un riesgo de descarga eléctrica, lo que puede provocar la muerte o heridas graves.



ADVERTENCIA/INSTRUCCIONES DE CONEXIÓN A TIERRA

La conexión incorrecta del equipo mediante el conductor a tierra puede crear un riesgo de descarga eléctrica. Consulte con un electricista matriculado o un representante del servicio técnico si tiene dudas acerca de la correcta conexión a tierra del electrodoméstico. No modifique el enchufe que se proporciona con el electrodoméstico. Si el enchufe no cabe en el tomacorriente, solicite a un electricista matriculado que instale un tomacorriente adecuado.

Para electrodomésticos con cable y con conexión a tierra:

Este electrodoméstico debe conectarse a tierra. En caso de mal funcionamiento o avería, la conexión a tierra reducirá el riesgo de descarga eléctrica, proporcionando un camino de menor resistencia para la corriente eléctrica. Este electrodoméstico está equipado con un cable que cuenta con un conductor de conexión a tierra y un enchufe a tierra. El enchufe debe conectarse en un tomacorriente apropiado, que esté instalado y conectado a tierra de acuerdo con todos los códigos y ordenanzas locales.

Para un electrodoméstico conectado en forma permanente:

Este electrodoméstico debe estar conectado a un sistema de cableado permanente de metal con conexión a tierra, o debe funcionar un conductor de equipo a tierra con los conductores del circuito, y debe estar conectado al cable o terminal de equipo a tierra del electrodoméstico.

ADVERTENCIA



Peligro de vuelco

- No use el lavavajillas hasta que se haya instalado por completo.
- No presione hacia abajo sobre la puerta abierta.
- Hacerlo puede provocar lesiones o cortes graves.

ADVERTENCIA

Peligro de asfixia

- Antes de deshacerse del electrodoméstico antiguo, quite la puerta o tapa para que los niños no puedan esconderse o quedar atrapados dentro del electrodoméstico antiguo.
- El incumplimiento con estas instrucciones puede provocar la muerte o daños cerebrales.

ADVERTENCIA

Peligro de descarga eléctrica



Para reducir el riesgo de descarga eléctrica, incendio o lesiones a personas:

- El instalador debe asegurarse de que el lavavajillas esté completamente cerrado al momento de la instalación.
- Se debe tener cuidado durante la instalación o desinstalación del lavavajillas para reducir las probabilidades de dañar el cable eléctrico.

Advertencias de la “Proposición 65” del estado de California:



ADVERTENCIA: Cáncer y daños al sistema reproductivo
-www.P65Warnings.ca.gov.

REQUISITOS DE INSTALACIÓN

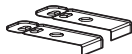
HERRAMIENTAS Y PIEZAS

Reúna las herramientas y piezas necesarias antes de comenzar la instalación.

PIEZAS SUMINISTRADAS



Tornillos de madera de cabeza plana (4)



Soportes de montaje superior (2)

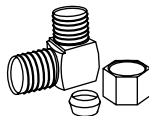


Abrazadera de tornillo para manguera



Manguera de desagüe

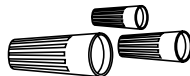
PIEZAS NECESARIAS (NO SUMINISTRADAS)



Casquillo, tuerca de compresión y codo de 90° con roscas externas NPT de $\frac{3}{8}$ (1 cm) en un extremo. (El otro extremo debe ajustarse a su línea de suministro de agua).



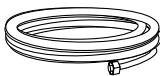
Cinta de teflón



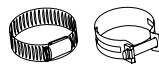
Tuercas para cable con certificación UL (3)



Kit de cable de alimentación eléctrica nro. BK500 o cable eléctrico (opcional)



Tubería de agua de cobre (mín. de $\frac{3}{8}$ in [1 cm])



Abrazaderas para manguera



Prensacable

HERRAMIENTAS NECESARIAS



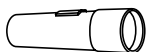
Destornillador Phillips



Llave para tuercas de $\frac{3}{16}$ in (0,79 cm) y $\frac{1}{4}$ in (0,64 cm)



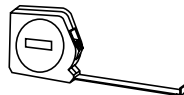
Nivel



Linterna



Llave inglesa de 6 in (15,2 cm)



Cinta métrica



Escuadra de carpintero



Gafas de seguridad



Cubeta



Guantes



Destornillador de hoja plana

NUEVAS INSTALACIONES (SOLAMENTE)

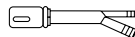
Piezas necesarias



Válvula de cierre manual



Conexión en T al tubo de desperdicios (plomería doméstica, si corresponde)

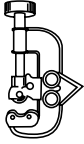


Tubería con separación de aire para manguera de desagüe (si se requiere)

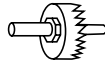


Acoplador (que extiende la línea de desagüe, si corresponde)

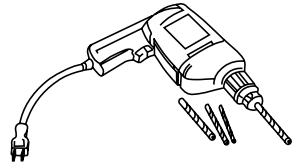
Herramientas necesarias



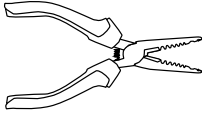
Cortatubos



Juego de sierra copa



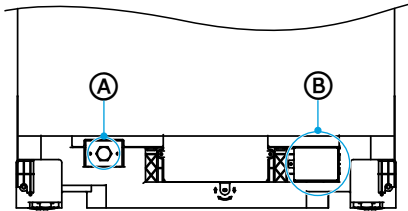
Taladro y brocas



Alicate pelacables

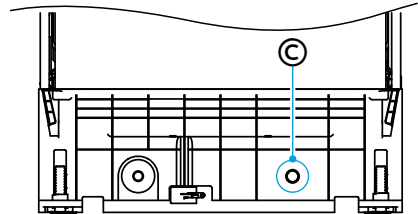
PUNTOS CLAVE DE CONEXIÓN

Frente



- (A) Conexión de agua
- (B) Caja de conexiones eléctricas

Espalda



- (C) Conexión de la manguera de desagüe

REQUISITOS DE UBICACIÓN

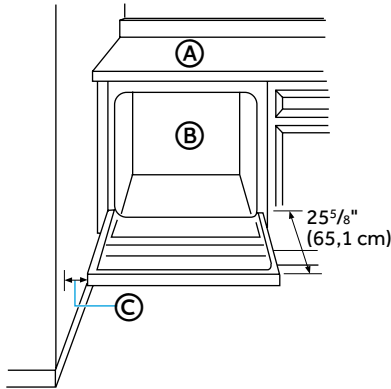
IMPORTANTE:

- No instale tramos de líneas de desagüe, suministro de agua o cableado eléctrico donde puedan interferir o entrar en contacto con los motores o las patas del lavavajillas.
- La ubicación donde se instalará el lavavajillas debe contar con espacio libre suficiente entre los motores y el piso. Los motores no deben tocar el suelo.
- La abertura debe contar con un piso nivelado. (Si el suelo en el frente de la abertura no está a nivel con el suelo en la parte trasera de la abertura, es posible que se deban instalar cuñas para nivelar el lavavajillas).
- No instale el lavavajillas sobre un piso alfombrado.
- El lavavajillas debe estar completamente encerrado en la parte superior, los lados y la parte posterior, y no debe sostener ninguna parte del cerramiento.

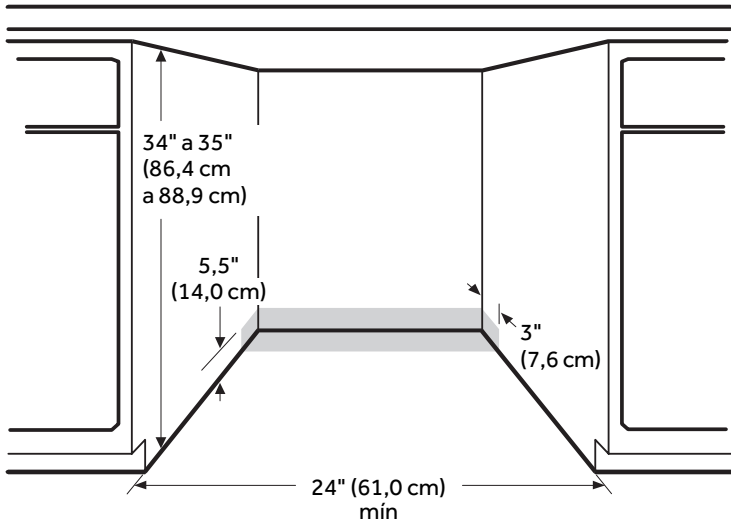
- El lavavajillas debe instalarse de manera tal que la manguera de desagüe no mida más de 10 pies (3,05 metros) de largo, para un drenaje adecuado.

DIMENSIONES DE ABERTURA

- La abertura aproximada del gabinete debe ser de al menos 24 in (61 cm) de ancho y un máximo de 35 in (88,9 cm) de altura, y proporcionar fácil acceso para agua, electricidad, y drenaje.
- Al instalarse en una ubicación en esquina, se necesita de un espacio libre mínimo de 2 in (5,1 cm) entre el costado del lavavajillas y la pared adyacente, el gabinete u otro electrodoméstico.
- Debe haber un espacio libre mínimo de 25 $\frac{5}{8}$ in (65,1 cm) al frente del lavavajillas para permitir que la puerta se abra por completo.

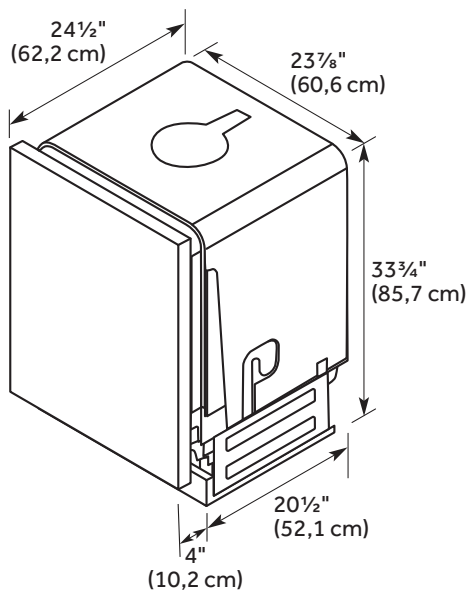


- Ⓐ Encimera
- Ⓑ Lavavajillas
- Ⓒ Espacio libre mínimo de 2 in (5,1 cm) para la apertura de la puerta



* Asegúrese de que la línea de agua, los cables y la manguera de desagüe se encuentren dentro del área sombreada.

DIMENSIONES DEL PRODUCTO



REQUISITOS DE DRENAJE

Siga los códigos y ordenanzas locales.

MANGUERA DE DESAGÜE

Utilice la manguera de desagüe nueva provista con su lavavajillas. Si la manguera provista no es lo suficientemente larga, utilice una nueva manguera de desagüe con un largo máximo de 10 pies (3,05 m), que cumpla con todas las normas de prueba de la AHAM (Asociación de Fabricantes de Electrodomésticos)/IAPMO (Asociación Internacional de Oficiales de Plomería y Mecánica) de EE. UU.

La manguera de desagüe debe cumplir con los siguientes requisitos:

- Ser resistente al calor y al detergente
- Contar con un diámetro interior (D.i.) de 5/8 in (1,58 cm) o 3/4 in (2,2 cm)
- Incluir un acoplador para conectar ambos extremos de la manguera (fijar la conexión con dos abrazaderas)

NO conecte las mangueras de desagüe de otros electrodomésticos a la manguera de desagüe del lavavajillas.

Enrutamiento de la manguera de desagüe

La manguera de desagüe puede pasar a través del mismo hueco que el cableado y la línea de agua caliente, o puede hacer un orificio adicional de 1 1/2 in (3,8 cm) de diámetro en la pared del gabinete para que quepa la manguera de desagüe.

NOTA: El orificio debe ser liso, sin bordes filosos.

ALTURA DE LA CONEXIÓN DEL DRENAJE

El método de conexión del drenaje depende de la altura de la conexión de la manguera de desagüe.

IMPORTANTE: Si la manguera de desagüe no se conecta a una altura de 18 in (45,7 cm) con una tubería de separación de aire (no provista) NI se crea un circuito de desagüe con una altura mínima de 32 in (81,3 cm), el lavavajillas no drenará de manera adecuada.

REQUISITOS DE SUMINISTRO DE AGUA

- La presión de agua de la línea de suministro de agua caliente debe ser entre 20 y 120 psi (de 138 a 862 kPa).
- El calentador de agua se debe ajustar a una temperatura del agua de 120 °F a 150 °F (de 49 °C a 65,5 °C).
- Se requiere conectar un codo de 90° a la válvula de agua antes de la conexión de la línea de agua.
- Una línea de agua por tubería de cobre con un diámetro mínimo de 3/8 in (1 cm) que se extienda al menos 24 in (61 cm) desde la pared trasera, y se canalice para conectarse al frente del lateral izquierdo del lavavajillas.
- Una válvula de cierre manual en una ubicación accesible, como debajo del fregadero (opcional, pero altamente recomendado).

REQUISITOS ELÉCTRICOS



ADVERTENCIA



Peligro de descarga eléctrica

- Un instalador o una agencia de servicio técnico calificado deben realizar la instalación y el mantenimiento.
- Siempre desconecte la alimentación antes de que se realice el mantenimiento de la unidad.
- Este electrodoméstico debe conectarse correctamente a tierra.
- Si no se realiza dicha conexión, se pueden provocar la muerte, incendios o descargas eléctricas.

IMPORTANTE:

- El lavavajillas debe contar con una alimentación de 120 voltios y 60 Hz, y estar conectado a un circuito derivado exclusivo con una adecuada conexión a tierra, protegido por un disyuntor o fusible de acción retardada de 15 o 20 amperios.
- Se permite un máximo de dos conductores de suministro para cableado de campo (máximo de 12 AWG) más un conductor a tierra en la caja de conexiones.
- Use solo cables de cobre.
- El cableado debe ser de 2 cables, con conexión a tierra.

- Utilice un prensacable metálico con certificación UL/homologado para CSA.
- Asegúrese de que la conexión eléctrica y el tamaño de cable sean adecuados y que cumplan con el Código Nacional Eléctrico de EE. UU., regulación nro. 70 (edición más reciente) de ANSI (Instituto Nacional Estadounidense de Estándares)/NFPA (Asociación Nacional de Protección contra Incendio de EE. UU.) y todos los códigos y ordenanzas locales.
- Si el suministro eléctrico no cumple con los requisitos antes mencionados, llame a un electricista matriculado y calificado antes de proceder.

Instrucciones de conexión a tierra:

- El lavavajillas debe estar conectado a un sistema de cableado permanente de metal con conexión a tierra, o debe usarse un conductor de equipo a tierra con los conductores del circuito, y debe estar conectado al cable o terminal del equipo a tierra del electrodoméstico.

Conexiones del cable eléctrico:

- Utilice un cable eléctrico con conexiones que cumplan con el Código Nacional Eléctrico de EE. UU., sección 422, o los códigos y ordenanzas locales.
- El largo recomendado de cable es de 54 in (1,37 m) como mínimo y 64 in (1,63 m) como máximo.
- Se encuentra disponible un kit de cable eléctrico nro. BK500 para su compra por parte de un distribuidor de piezas autorizado.

Conexiones de cable directas:

- Utilice cableado de cobre flexible, reforzado o forrado con una cobertura no metálica y con conexión a tierra, que cumpla con los requisitos de cableado de los códigos y ordenanzas locales.

INSTRUCCIONES DE INSTALACIÓN

IMPORTANTE:

- Solo un instalador, plomero o técnico calificado puede instalar este electrodoméstico, y debe hacerlo conforme a las instrucciones de instalación del fabricante y los códigos y ordenanzas locales y nacionales de electricidad y plomería.
- El lavavajillas se debe instalar de manera tal que permita su desinstalación del cerramiento en el futuro, si se requiere servicio técnico.
- Cada lavavajillas se prueba en la fábrica, y puede contener agua residual en la tina, como resultado de la prueba.

DESEMPAQUE DEL LAVAVAJILLAS

IMPORTANTE: Si recibió un lavavajillas dañado, póngase en contacto de inmediato con el distribuidor o fabricante.

ADVERTENCIA



Peligro de asfixia

- Para evitar el peligro de asfixia, mantenga la bolsa de plástico y otros materiales de embalaje fuera del alcance de bebés y niños pequeños. No use la bolsa en cunas, carriolas ni corralitos. La bolsa de plástico podría tapar la nariz y la boca, e impedir la respiración. La bolsa no es un juguete.
- El incumplimiento con estas instrucciones puede provocar la muerte o daños cerebrales.



ADVERTENCIA

Peligro de asfixia

- Antes de deshacerse del electrodoméstico antiguo, quite la puerta o tapa para que los niños no puedan esconderse o quedar atrapados dentro del electrodoméstico antiguo.
- El incumplimiento con estas instrucciones puede provocar la muerte o daños cerebrales.

1. Con ayuda de dos o más personas, abra la puerta del lavavajillas lentamente, mientras una persona presiona hacia abajo en la parte superior del lavavajillas. Quite la manguera de desagüe, la rejilla inferior para vajilla y el material de embalaje.
2. Ubique el paquete con información y lea el Manual de usuario para conocer las instrucciones de uso.
3. Cierre la puerta del lavavajillas hasta que se trabé y coloque el lavavajillas en posición vertical.
4. Deseche/recicle el material de embalaje adecuadamente.

VERIFICACIÓN DEL EQUILIBRIO DE LA PUERTA

Mientras otra persona sostiene el lavavajillas para evitar que se voltee, abra la puerta lentamente.

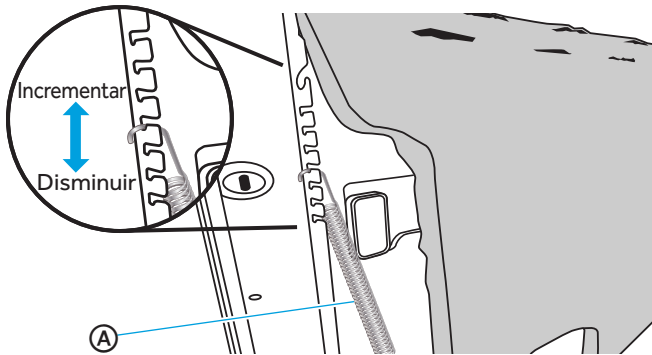
- Si la puerta se cae al soltarla, aumente la tensión de los resortes.
- Si la puerta se cierra al soltarla, reduzca la tensión de los resortes.

Para ajustar la tensión de los resortes:

1. Sosteniendo firmemente el resorte, eleve o baje el extremo del gancho hasta la siguiente ranura superior o inferior, y luego inserte el gancho en la ranura.

NOTA: Ajuste ambos resortes (en el lado izquierdo y el derecho del electrodoméstico) para que tengan la misma tensión.

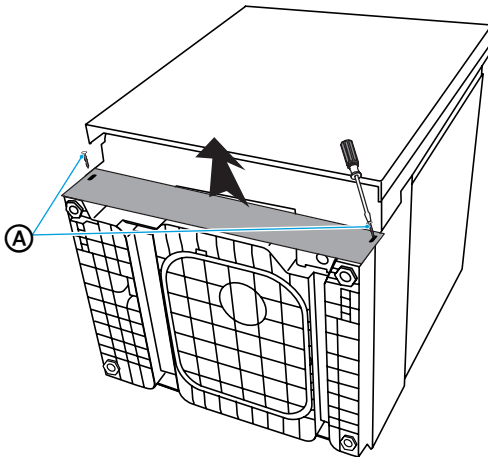
2. Vuelva a probar la puerta. Siga moviendo los ganchos de los resortes hacia una posición superior o inferior hasta que la puerta esté balanceada.



(A) Resorte

EXTRACCIÓN DE LA PLACA PROTECTORA

1. Con un destornillador, quite los dos tornillos que unen la placa protectora con el gabinete.
2. Levante y quite la placa protectora.



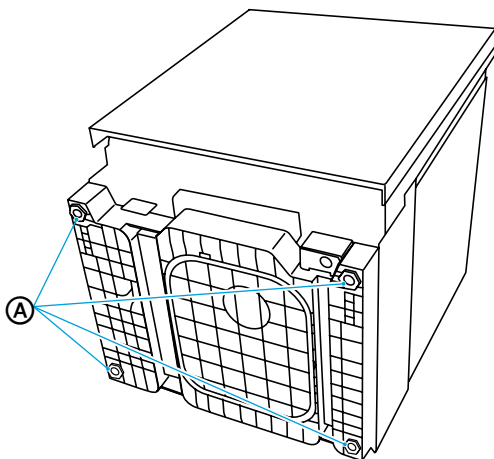
(A) Tornillos de la placa protectora (2)

REGULACIÓN DE LAS PATAS NIVELADORAS

1. Mueva el lavavajillas cerca de la ubicación de instalación y colóquelo en forma plana, apoyándolo sobre el lado posterior.
2. Mida la altura de la apertura desde la parte inferior de la encimera hasta el suelo (punto más bajo).
3. Extienda las patas niveladoras desde la base del lavavajillas hasta la altura indicada en la siguiente tabla. Tenga en cuenta cualquier nivelación de piso necesaria que deba agregarse a la regulación de las patas traseras.

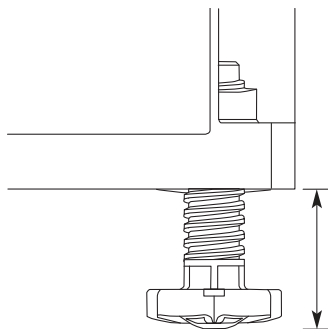
NOTAS:

- Si el piso presenta desnivel para la parte frontal del lavavajillas, compense la diferencia al regular las patas de nivelación traseras.
- Los ajustes finales de las patas niveladoras se realizarán luego de la instalación en la abertura.



A Regule las patas niveladoras a la altura de instalación

Regulación de las patas niveladoras		
Altura de apertura	Patas delanteras	Patas traseras
34"	0	0
34¼"	0	¼"
34½"	¼"	½"
34¾"	½"	¾"
35"	¾"	1"

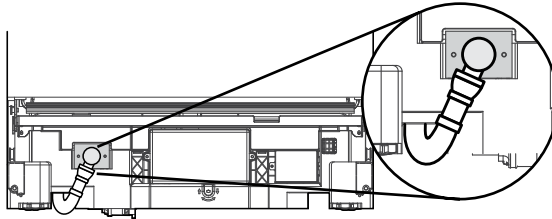


INSTALACIÓN DE CODO DE 90°

1. Envuelva el codo de 90° con cinta de teflón.

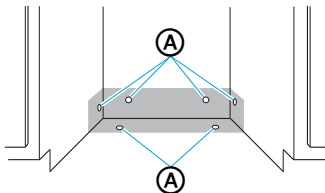
NOTAS:

- No use masilla de plomería.
 - Para evitar dañar la conexión o abrazadera de la válvula de agua, no apriete demasiado el codo.
2. Coloque el extremo del codo de manera que mire hacia la parte inferior izquierda del lavavajillas.



PREPARACIÓN DE LA ABERTURA DE INSTALACIÓN

- El cableado y la plomería pueden ingresar a la abertura desde el lado derecho o izquierdo de la pared trasera, los gabinetes laterales o el suelo, dentro del área sombreada. Consulte la sección “Requisitos de ubicación” para conocer las dimensiones.



- Ⓐ Posibles ubicaciones para los orificios de electricidad y plomería

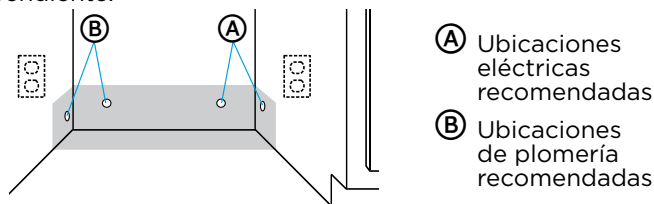
NOTA: Conectar el lavavajillas para electricidad y plomería será más fácil si pasa el cableado por la abertura de instalación desde el lado derecho, y la plomería desde el lado izquierdo.

IMPORTANTE: Cualquier línea de plomería o electricidad que se pase por fuera del área sombreada puede estrangularse.

- El cableado directo puede ingresar a la abertura a través del mismo orificio utilizado para la manguera de desagüe y la línea de agua caliente, o a través de un orificio adicional de 1½ in (3,8 cm) de diámetro.

NOTA: El orificio no debe tener bordes filosos. Si la pared del gabinete es de metal, el borde del orificio debe contar con un buje u ojal de goma.

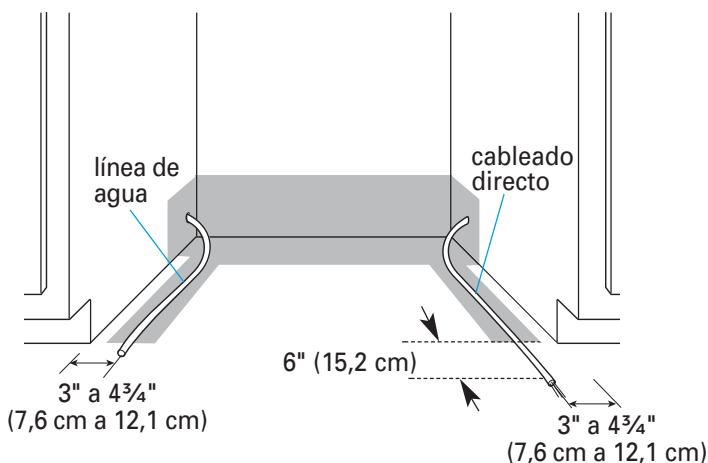
- Los cables eléctricos con un enchufe DEBEN pasar por un orificio independiente.



VERIFICACIÓN DE CONEXIONES DE ELECTRICIDAD O PLOMERÍA EXISTENTES

CONEXIÓN DE AGUA

1. Verifique que la línea de agua llegue hasta el frente izquierdo de la abertura donde se realizará la conexión de agua, según se muestra en el siguiente diagrama.



CONEXIÓN ELÉCTRICA

Conexión eléctrica al lavavajillas

1. Verifique que el cableado directo se extienda un mínimo de 6 in (15,2 cm) después del frente derecho de la abertura, y que se coloque según se muestra.

Si la línea de agua y el cableado directo alcanzan una distancia suficiente para conectarse fácilmente al lavavajillas, proceda con la siguiente sección, "Instalación de escuadras".

Si la línea de agua y el cableado directo NO alcanzan la distancia suficiente, siga las instrucciones de la sección "Cuando no hay conexiones existentes de electricidad y plomería".

CUANDO NO HAY CONEXIONES EXISTENTES DE ELECTRICIDAD Y PLOMERÍA

PREPARACIÓN PARA CONEXIÓN DE FUENTE DE ALIMENTACIÓN

Haga la conexión a la fuente de alimentación: utilizando uno de los dos siguientes métodos: cableado directo (método 1) o cable eléctrico (método 2). Siga las instrucciones que corresponden a la instalación.

ADVERTENCIA



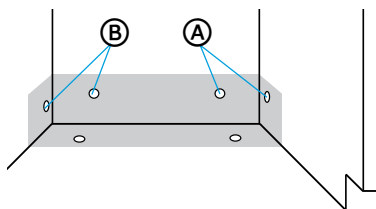
Peligro de descarga eléctrica

- Desconecte la energía eléctrica en la caja de fusibles o caja de disyuntores antes de instalar el lavavajillas.
- No hacerlo puede provocar la muerte o descargas eléctricas.

Método 1: cableado directo

1. Taladre un orificio de $\frac{3}{4}$ in (1,9 cm) en el gabinete del lado derecho, o el lado derecho del suelo o la pared posterior de la abertura. Vea el siguiente gráfico para las ubicaciones recomendadas y opcionales.

NOTA: El cableado del lavavajillas es más sencillo si el cable se pasa por la abertura desde el lado derecho.



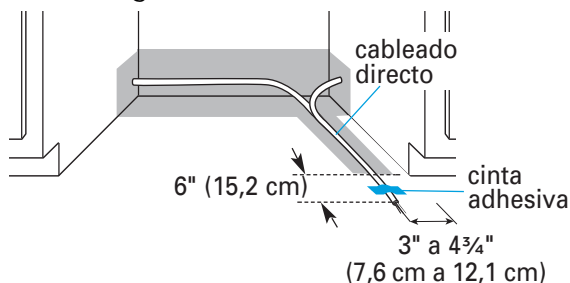
- (A) Ubicaciones recomendadas
- (B) Ubicaciones opcionales

2. Suavice o cubra los bordes rugosos del orificio por el que pasará el cableado.

Gabinete de madera: lije el borde del orificio hasta que esté suave.

Gabinete de metal: cubra el borde del orificio con un ojal de goma (no provisto).

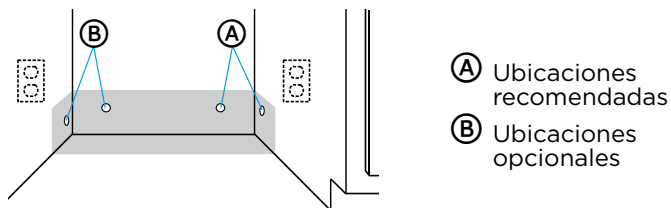
3. Pase el cable a través del orificio, desde la fuente de alimentación (el cable debe extenderse hacia el frente derecho de la abertura). Extienda el cable hasta 6 in (15,2 cm) frente a la unidad y péguelo con cinta al suelo para evitar que se mueva cuando el lavavajillas se corra hacia la abertura del gabinete.



Método 2: cable de alimentación eléctrica

IMPORTANTE:

- El cable eléctrico y las conexiones deben cumplir con el Código Nacional Eléctrico de EE. UU., sección 422, o los códigos y ordenanzas locales. El largo recomendado de cable es de 54 in (1,37 m) como mínimo y 64 in (1,63 m) como máximo.
 - Se necesita contar con un receptáculo de acople de pared de 3 clavijas con conexión a tierra en un gabinete junto a la abertura para el lavavajillas.
 - Se encuentra disponible un kit de cable eléctrico nro. BK500 para su compra por parte de un distribuidor de piezas autorizado.
1. Taladre un orificio de 1½ in (3,8 cm) en el costado o la parte trasera del gabinete. Las ubicaciones recomendadas y opcionales se muestran en el siguiente gráfico.
 2. Suavice los bordes del orificio para el cable eléctrico.
Gabinete de madera: lije los bordes del orificio hasta que estén suaves.
Gabinete de metal: cubra los bordes del orificio con un ojal de goma (no provisto).
 3. Conecte el cable eléctrico al lavavajillas antes de correrlo dentro de la abertura. Consulte la sección “Conexión de la fuente de alimentación” para obtener información sobre la técnica de instalación adecuada.



ADVERTENCIA

Peligro de descarga eléctrica



- Enchufe en un tomacorriente de 3 clavijas con conexión a tierra.
- No quite la clavija de conexión a tierra del enchufe del cable eléctrico.
- No use un adaptador.
- No utilice un alargador.
- El incumplimiento de estas instrucciones puede provocar la muerte, incendios o descargas eléctricas.

PREPARACIÓN PARA LA CONEXIÓN DE LA LÍNEA DE AGUA

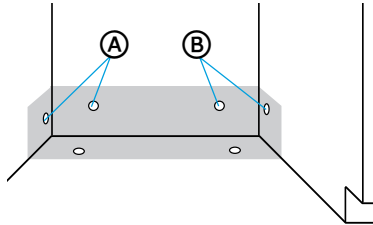
NOTA: Pasar la línea de agua por el costado izquierdo de la abertura del gabinete hará más fácil la conexión de agua.

1. Taladre un orificio de ½ in (1,3 cm) en el costado, la parte trasera o el piso del gabinete. Las ubicaciones recomendadas y opcionales se muestran en el siguiente gráfico.

- Haga una medición para determinar la longitud total de la tubería de cobre necesaria para la línea de agua.

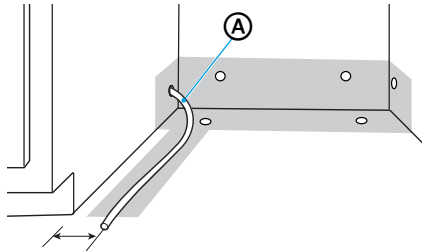
IMPORTANTE: Inserte lentamente la tubería de cobre a través del orificio en el gabinete. La tubería de cobre se dobla y retuerce fácilmente, así que manéjela con cuidado.

- Conecte la tubería de cobre a la válvula de cierre manual.



- (A) Ubicaciones recomendadas
- (B) Ubicaciones opcionales

- Introduzca lentamente la tubería de cobre a través del orificio hacia la abertura. Continúe introduciendo la tubería hasta que el largo sea suficiente para conectarla a la entrada (frontal izquierda del lavavajillas) pero que permanezca dentro del límite requerido.



- (A) Tubería de cobre

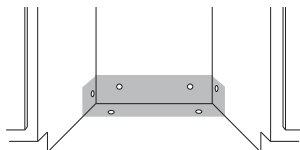
3" to 4³/₄"
(7.6 cm to 12.1 cm)

- Gire la válvula de cierre de agua lentamente hacia la posición "ON" (Abierto). Purgue agua hacia un recipiente plano para deshacerse de las partículas que puedan tapan la válvula de entrada.
- Gire la válvula de cierre hacia la posición "OFF" (Cerrado).

PREPARACIÓN PARA LA CONEXIÓN DE LA MANGUERA DE DESAGÜE

La manguera de desagüe se conectará al sistema de desagüe doméstico luego de instalar el lavavajillas en la abertura.

- Taladre un orificio de 1½ in (3,8 cm) en el piso o la pared del gabinete del lado de la abertura más cercano al fregadero.



INSTALACIÓN DE ESCUADRAS

IMPORTANTE: El lavavajillas debe fijarse a la encimera o los gabinetes adyacentes mediante escuadras, para evitar que se vuelque cuando se abre la puerta.

En algunos materiales de encimera, como el granito, no se pueden colocar tornillos, de manera que no permiten una instalación en la encimera.

Siga las instrucciones para instalar escuadras de la manera prevista para su método de instalación. Fijará el lavavajillas luego de hacer la conexión eléctrica y de plomería, y luego de colocarlo dentro de la abertura.

⚠ ADVERTENCIA

Peligro de exceso de peso

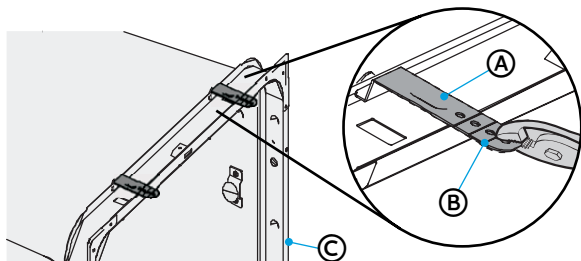
- Con dos personas o más, mueva e instale el lavavajillas.
- Si no lo hace de esta manera, se pueden provocar lesiones en la espalda o de otro tipo.

Método 1: instalación en encimera

Para poder montar el lavavajillas en la encimera, instale dos soportes de montaje en la parte superior del lavavajillas.

1. Con la ayuda de dos personas o más, coloque el lavavajillas en posición vertical.
2. Inserte los soportes de montaje en las ranuras superiores del frente del lavavajillas.

NOTA: Los soportes de montaje superiores tienen un punto de separación, por lo que puede quitarse una parte del soporte, en caso de ser necesario para que la instalación se ajuste a la profundidad del gabinete.



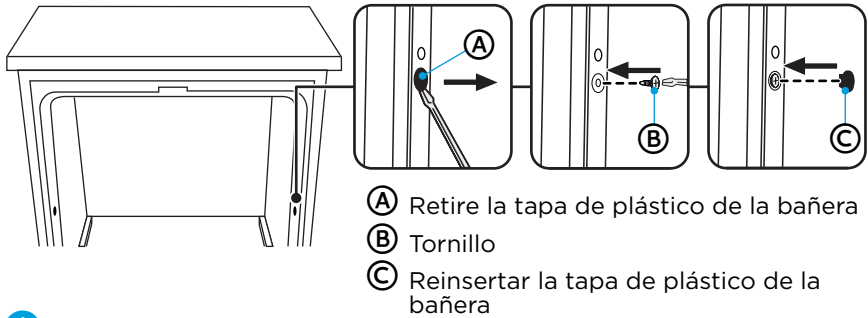
- (A) Soportes de montaje
- (B) Punto de separación
- (C) Borde de la tina

Método 2: instalación en gabinetes adyacentes

1. Retire las tapas de plástico de la bañera del interior de la bañera del lavavajillas.
2. Introduzca un tornillo para madera a través del orificio en el costado del lavavajillas en el marco del gabinete.

IMPORTANTE: Apriete los tornillos en línea recta y al ras. Las cabezas de tornillo sobresalientes rayarán el costado del lavavajillas. Este método es para sujetar el lavavajillas al costado del gabinete, y debe hacerse cuando la encimera está hecha de granito u otros materiales rompibles.

3. Vuelva a insertar las tapas de plástico de la bañera.

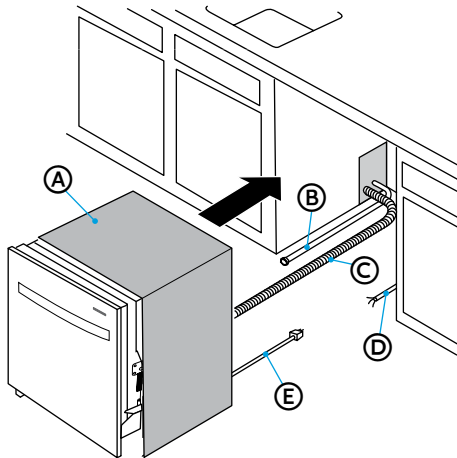


! PRECAUCIÓN

No apriete demasiado los tornillos laterales.

CONEXIÓN DE LA MANGUERA DE DESAGÜE AL LAVAVAJILLAS

1. Sujete los costados del lavavajillas por los bordes del panel de la puerta y coloque el lavavajillas en frente de la abertura.
2. Inserte la manguera de desagüe en el orificio de la pared del gabinete.
3. Conecte la manguera de desagüe a la parte posterior del lavavajillas y fíjela con una abrazadera para manguera.



- Ⓐ Cobertura aislante
- Ⓑ Línea de agua
- Ⓒ Manguera de desagüe (largo máximo de 10 pies [3,0 m])
- Ⓓ Cableado doméstico
- Ⓔ Cable eléctrico (si se utiliza)

DESLIZAMIENTO PARCIAL DEL LAVAVAJILLAS HACIA LA ABERTURA

ADVERTENCIA

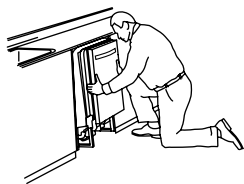


Peligro de vuelco

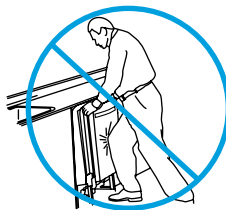
- No use el lavavajillas hasta que se haya instalado por completo.
- No presione hacia abajo sobre la puerta abierta.
- Hacerlo puede provocar lesiones o cortes graves.

1. Coloque la fuente de alimentación.
 - Si el lavavajillas cuenta con un cable eléctrico, inserte el cable dentro del orificio perforado en el gabinete.
 - Si utiliza una conexión de cable directa, verifique que el cableado se encuentre del lado frontal derecho de la abertura.
2. Asegúrese de que la manguera de desagüe no esté retorcida debajo del lavavajillas y que no haya interferencia con la línea de agua o el cableado, o ningún otro componente.
3. Mueva lentamente el lavavajillas hacia dentro de la abertura, pocas pulgadas (o centímetros) a la vez. A medida que avanza, jale de la manguera de desagüe, la manguera de suministro de agua y el cable a través de la abertura que se encuentra debajo del fregadero o gabinete. Deje de empujar cuando el lavavajillas se encuentre unas pocas pulgadas (o centímetros) al frente de los gabinetes adyacentes.

NOTA: No empuje contra el frente del panel o sobre la consola: se abollarán.



Acomode el lavavajillas sujetando ambos lados con las manos.



No empuje contra el panel de la puerta frontal con la rodilla. El panel de la puerta se dañará.

4. Empuje el lavavajillas por completo hacia dentro de la abertura, de manera que las esquinas frontales de la puerta del lavavajillas estén alineadas con las puertas de los gabinetes.

NOTA: Es aceptable que el lavavajillas quepa ajustado dentro de la abertura del gabinete. No quite la cobertura aislante: esta reduce el nivel de sonido.

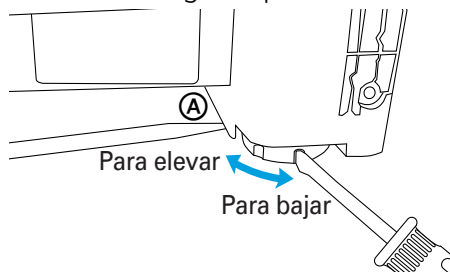
NIVELACIÓN DEL LAVAVAJILLAS

IMPORTANTE: El lavavajillas debe estar nivelado para el rendimiento y funcionamiento adecuados del lavado y las rejillas para vajilla.

1. Nivele el lavavajillas de manera que el panel frontal se alinee con las puertas de los gabinetes adyacentes.

NOTA: Para algunas instalaciones, puede ser más fácil regular las patas delanteras con un destornillador plano.

- Para bajar: gire la pata niveladora hacia la izquierda.
- Para elevar: gire la pata niveladora hacia la derecha.

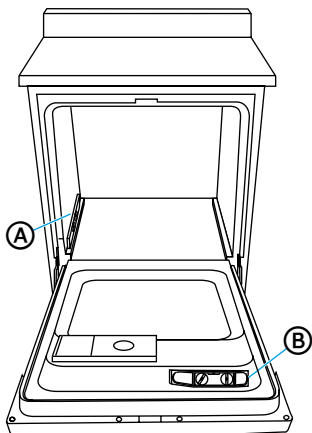


A Elevar un lado del lavavajillas

2. Verifique que las patas niveladoras se apoyen firmemente contra el suelo.
3. Cierre y trabe la puerta, y coloque un nivel contra el panel frontal. Verifique que el lavavajillas esté nivelado. Si es necesario, ajuste las patas niveladoras o agregue cuñas hasta que el lavavajillas esté nivelado.

NOTA: Las cuñas deben colocarse de manera firme en el suelo para evitar que se muevan cuando el lavavajillas está en funcionamiento.

4. Repita la acción para cada lado del lavavajillas.
5. Coloque el nivel en la puerta y en el riel de las rejillas dentro de la tina, tal como se muestra. Verifique que el lavavajillas se encuentre a nivel de lado a lado y de atrás hacia delante. Si el lavavajillas no está nivelado, ajuste las patas delanteras hacia arriba o hacia abajo hasta que el lavavajillas esté nivelado.



A Nivel del frente hacia atrás

B Nivel de lado a lado

NOTA: Jale de la rejilla inferior aproximadamente hasta la mitad. Si la rejilla rueda hacia delante o hacia atrás en el lavavajillas, el lavavajillas debe nivelarse nuevamente.

CONEXIÓN A LA FUENTE DE ALIMENTACIÓN

CABLE DIRECTO



ADVERTENCIA

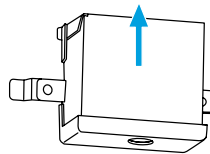


Peligro de descarga eléctrica

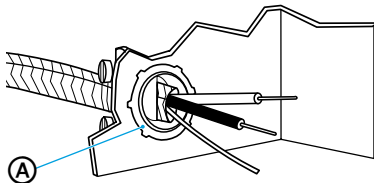
- Lavavajillas con conexión eléctrica a tierra.
- Conecte el cable a tierra con el conector verde a tierra en la caja de conexiones.
- No utilice un alargador.
- El incumplimiento de estas instrucciones puede provocar la muerte, incendios o descargas eléctricas.

IMPORTANTE: Póngase en contacto con un electricista calificado. Asegúrese de que la conexión eléctrica y el tamaño de cable sean adecuados y que cumplan con el Código Nacional Eléctrico de EE. UU., regulación nro. 70 (edición más reciente) de ANSI (Instituto Nacional Estadounidense de Estándares)/NFPA (Asociación Nacional de Protección contra Incendio de EE. UU.) y todos los códigos y ordenanzas locales.

1. Confirme que la alimentación esté apagada en la fuente.
2. Quite la tapa de la caja de conexiones. Guárdela para usar posteriormente.

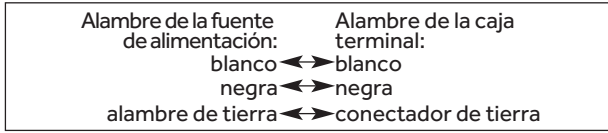


3. Instale un prensacable con certificación UL/homologado para CSA.
4. Introduzca el cable directo por el canal del lado derecho de la base del lavavajillas. Asegúrese de que el lavavajillas no repose sobre el cable ni que lo esté estrangulando.
5. Jale del cable directo a través del prensacable en la caja de conexiones.



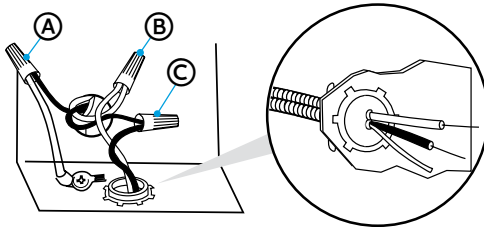
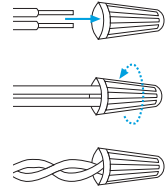
Ⓐ Prensacable

6. Conecte los cables según se indica a continuación, utilizando tuercas para cable con certificación UL del tamaño adecuado, para conectar el cable directo al cable de calibre 16 del lavavajillas.



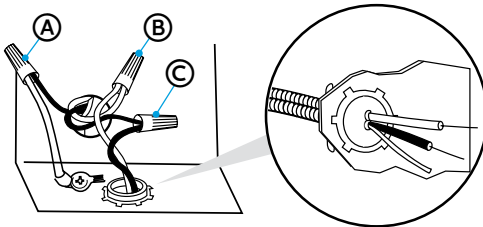
NOTAS:

- Utilice tuercas para cable con certificación UL del tamaño adecuado para conectar su cableado doméstico al cableado de calibre 16 del lavavajillas.
- Inserte los extremos del cable en un conector de torsión. No tuerza de antemano el cable pelado.
- Conector de torsión.
- Tire levemente de los cables para asegurarse de que ambos estén firmes.



- Ⓐ Cable a tierra
- Ⓑ Blanco
- Ⓒ Negro

7. Apriete los tornillos del prensacable para fijar el cable.
8. Vuelva a colocar la tapa de la caja de conexiones con tuercas para cable dentro de la caja de conexiones.
9. Asegúrese de que la tapa no estrangule los cables.



- Ⓐ Cable a tierra
- Ⓑ Blanco
- Ⓒ Negro

CONEXIÓN DEL CABLE ELÉCTRICO

ADVERTENCIA

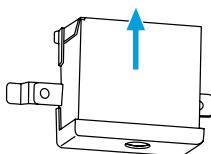


Peligro de descarga eléctrica

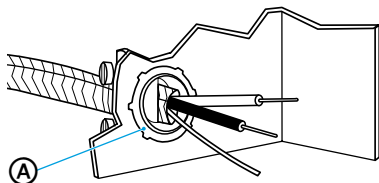
- Enchufe en un tomacorriente de 3 clavijas con conexión a tierra.
- No quite la clavija de conexión a tierra del enchufe del cable eléctrico.
- No use un adaptador.
- No utilice un alargador.
- El incumplimiento de estas instrucciones puede provocar la muerte, incendios o descargas eléctricas.

IMPORTANTE: El cable eléctrico y las conexiones deben cumplir con el Código Nacional Eléctrico de EE. UU., sección 422, o los códigos y ordenanzas locales. El largo recomendado de cable es de 54 in (1,37 m) como mínimo y 64 in (1,63 m) como máximo.

1. Confirme que la alimentación esté apagada en la fuente.
2. Quite la tapa de la caja de empalme. Guárdela para usar posteriormente.



3. Instale un prensacable con certificación UL/homologado para CSA.
4. Introduzca el cable eléctrico por el canal del lado derecho de la base del lavavajillas. Asegúrese de que el lavavajillas no repose sobre el cable ni que lo esté estrangulando.
5. Jale del cable eléctrico a través del prensacable en la caja de empalme.



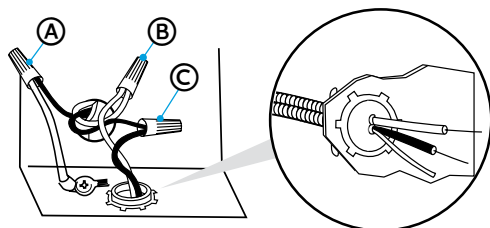
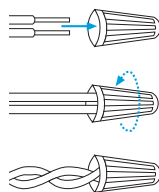
(A) Prensacable

6. Conecte los cables según se indica a continuación, utilizando tuercas para cable con certificación UL del tamaño adecuado, para conectar el cable eléctrico al cable de calibre 16 del lavavajillas.

Alambre de la fuente de alimentación:	Alambre de la caja terminal:
blanco	blanco
negra	negra
alambre de tierra	conector de tierra

NOTAS:

- Utilice tuercas para cable con certificación cUL/UL del tamaño adecuado para conectar el cable eléctrico al cableado de calibre 16 del lavavajillas.
- Inserte los extremos del cable en la tuerca para cable. No tuerza de antemano el cable pelado.
- Gire la tuerca para cable.
- Tire levemente de los cables para asegurarse de que ambos estén firmes.



- (A) Cable a tierra
- (B) Blanco
- (C) Negro

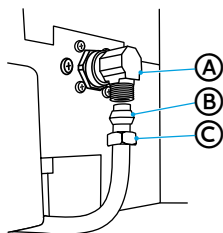
7. Ajuste los tornillos del prensacable para fijar el cable eléctrico.
8. Guíe con cuidado las tuercas para cable hacia dentro de la caja de empalme, y luego reemplace la tapa de la caja de empalme, asegurándose de no estrangular los cables.

CONEXIÓN AL SUMINISTRO DE AGUA

IMPORTANTE: Manipule y acomode la tubería de cobre cuidadosamente; se dobla y retuerce fácilmente.

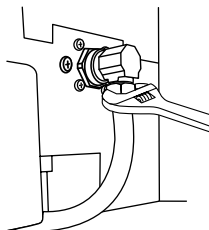
1. Conecte la línea de suministro de agua al codo de 90°.
 - Deslice la tuerca hacia la tubería de cobre, aproximadamente 1 in (2,5 cm) desde el extremo, y luego deslice el casquillo hacia la tubería. No coloque el casquillo en el extremo de la tubería.
 - Inserte la tubería de cobre dentro del codo, tan profundo como pueda, hasta que haga tope.
 - Deslice la tuerca y el casquillo hacia delante, y luego comience a enroscar la tuerca hacia el codo.

IMPORTANTE: No realice soldaduras a una distancia menor de 6 in (15,2 cm) de la válvula de entrada de agua.



- (D) Codo
- (E) Casquillo
- (F) Tuerca de compresión

2. Introduzca la línea de suministro de agua por el canal del lado izquierdo de la base. Para minimizar el ruido causado por las vibraciones cuando utiliza el lavavajillas, asegúrese de que la línea de suministro no toque la base, el marco ni el motor del lavavajillas. Asegúrese de que el lavavajillas no repose sobre la línea de suministro ni que la esté estrangulando.
3. Ajuste la tuerca de compresión hasta que quede apretada. No apriete demasiado.
4. Coloque una toalla de papel debajo del codo, y luego abra el suministro de agua para verificar que no haya filtraciones.



CONEXIÓN AL SISTEMA DE DESAGÜE DOMÉSTICO

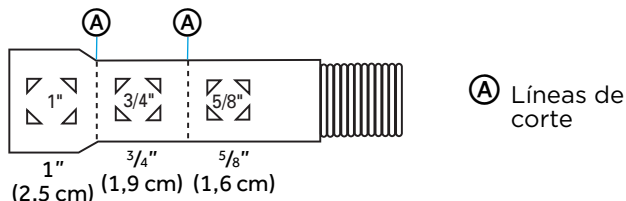
1. Conecte la manguera de desagüe a la conexión en T al tubo de desperdicios o al triturador de basura, utilizando uno de los métodos que se indican a continuación.
 - **Opción 1** – mediante triturador de basura - con tubería de separación de aire
 - **Opción 2** – sin triturador de basura - con tubería de separación de aire
 - **Opción 3** – mediante triturador de basura - sin tubería de separación de aire*
 - **Opción 4** – sin triturador de basura - sin tubería de separación de aire*

*Se recomienda utilizar una tubería de separación de aire

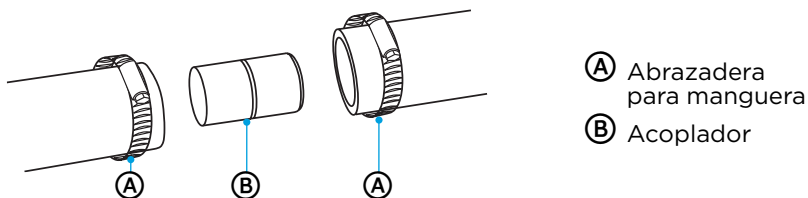
IMPORTANTE:

- Siempre utilice una manguera de desagüe nueva al instalar un lavavajillas nuevo.
- Para un funcionamiento de desagüe adecuado, el largo total de la manguera de desagüe no debe superar los 10 pies (3,05 m).
- Para minimizar el ruido causado por las vibraciones durante el funcionamiento del lavavajillas, coloque la manguera de desagüe de manera que evite el contacto con el suelo y el borde del orificio en el gabinete a través del cual pasa la manguera.

- En el extremo moldeado de la manguera de desagüe entrarán conexiones de $\frac{3}{8}$ in (1,6 cm), $\frac{3}{4}$ in (1,9 cm) o 1 in (2,5 cm) de diámetro en una tubería de separación de aire, conexión en T al tubo de desperdicios o triturador de basura. Corte en la línea punteada según se requiera para la instalación.



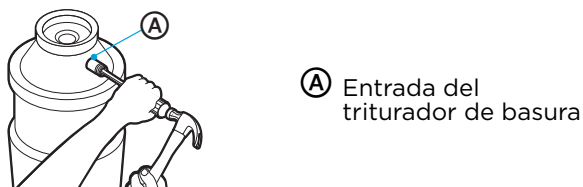
NOTA: Use un diámetro interno de manguera de $\frac{5}{8}$ in (1,6 cm) o $\frac{3}{4}$ in (2,2 cm) y un acoplador para conectar ambos extremos de la manguera. Fije la conexión con abrazaderas para manguera si se requiere utilizar una extensión.



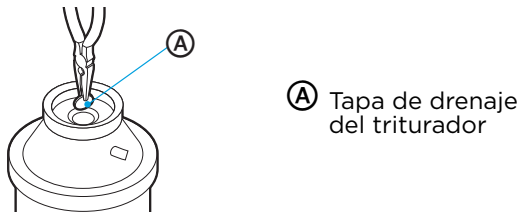
- Fije la manguera de desagüe a la tubería de separación de aire, conexión en T al tubo de desperdicios o triturador de basura con abrazaderas.

Opción 1: (mediante triturador de basura - con tubería de separación de aire):

- Quite la tapa ciega de drenaje de la entrada del triturador de basura. Utilizando un destornillador y un martillo, dele un golpe seco y firme a la tapa. La tapa se separará y caerá dentro del triturador.



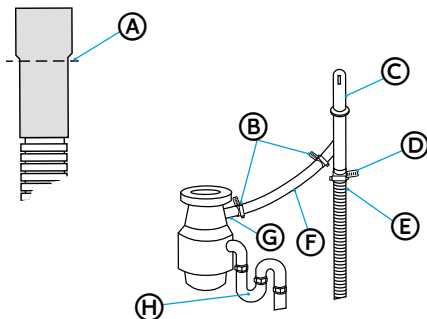
- Quite la tapa de drenaje del triturador de basura.



IMPORTANTE: Si necesita cortar la manguera de desagüe para que quepa dentro del diámetro de la conexión, corte solo el extremo de goma de la manguera, según se mostró antes en esta sección (no corte la sección rugosa).

- Utilizando una abrazadera de tornillo*, conecte la manguera de desagüe a la tubería de separación de aire. Corte el extremo de goma de la manguera, según sea necesario.
- Utilice un conector de manguera de goma* con una abrazadera de tornillo* para conectar la tubería de separación de aire a la entrada del triturador de basura.

NOTA: Esta conexión debe ubicarse antes de la trampa de drenaje y al menos 20 in (50,8 cm) por encima del suelo donde se instalará el lavavajillas.



- (A) Manguera de desagüe: corte aquí si es necesario
- (B) Abrazaderas de tornillo
- (C) Tubería de separación de aire
- (D) Abrazadera de tornillo
- (E) Manguera de desagüe
- (F) Conector de manguera de goma
- (G) Entrada del triturador de basura
- (H) Trampa de drenaje

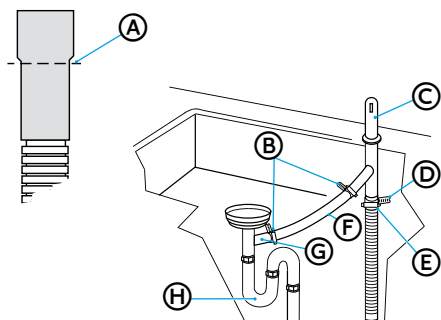
*Piezas disponibles en tiendas locales de suministros de plomería.

Opción 2: (sin triturador de basura - con tubería de separación de aire):

IMPORTANTE: Si necesita cortar la manguera de desagüe para que quepa dentro del diámetro de la conexión, corte solo el extremo de goma de la manguera, según se mostró antes en esta sección (no corte la sección rugosa).

- Conecte la manguera de desagüe a la tubería de separación de aire con una abrazadera de tornillo grande. Corte el extremo de goma de la manguera de desagüe, según sea necesario.
- Utilice un conector de manguera de goma* con abrazaderas flexibles o de tornillo* para conectar la tubería de separación de aire a la entrada del triturador de basura.

NOTA: Esta conexión debe ubicarse antes de la trampa de drenaje y al menos 20 in (50,8 cm) por encima del suelo donde se instalará el lavavajillas.

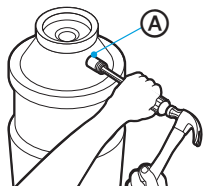


- (A) Manguera de desagüe: corte aquí si es necesario
- (B) Abrazaderas de tornillo
- (C) Tubería de separación de aire
- (D) Abrazadera de tornillo
- (E) Manguera de desagüe
- (F) Conector de manguera de goma
- (G) Conexión en T al tubo de desperdicios
- (H) Trampa de drenaje

*Piezas disponibles en tiendas locales de suministros de plomería.

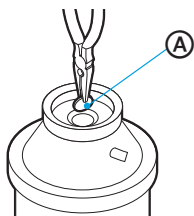
Opción 3: (mediante triturador de basura - sin tubería de separación de aire):

1. Quite la tapa ciega de drenaje de la entrada del triturador de basura. Utilizando un destornillador y un martillo, dele un golpe seco y firme a la tapa. La tapa se separará y caerá dentro del triturador.



- (A) Entrada del triturador de basura

2. Quite la tapa de drenaje del triturador de basura.



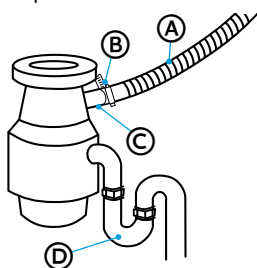
- (A) Tapa de drenaje del triturador

IMPORTANTE: Si necesita cortar la manguera de desagüe para que quepa dentro del diámetro de la conexión, corte solo el extremo de goma de la manguera, según se mostró antes en esta sección (no corte la sección rugosa).

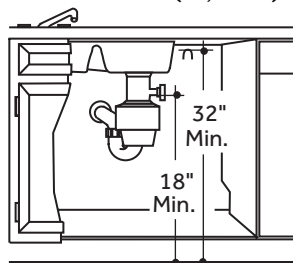
3. Utilizando una abrazadera de tornillo*, conecte la manguera de desagüe a la entrada del triturador de basura.

NOTAS:

- Esta conexión debe ubicarse antes de la trampa de drenaje y al menos 20 in (50,8 cm) por encima del suelo donde se instalará el lavavajillas.
- Se recomienda atar la manguera de desagüe y sujetarla firmemente a la parte inferior de la encimera, a una altura mínima de 32 in (81,3 cm).



- (A) Manguera de desagüe
(B) Abrazadera de tornillo
(C) Entrada del triturador de basura
(D) Trampa de drenaje



*Piezas disponibles en tiendas locales de suministros de plomería.

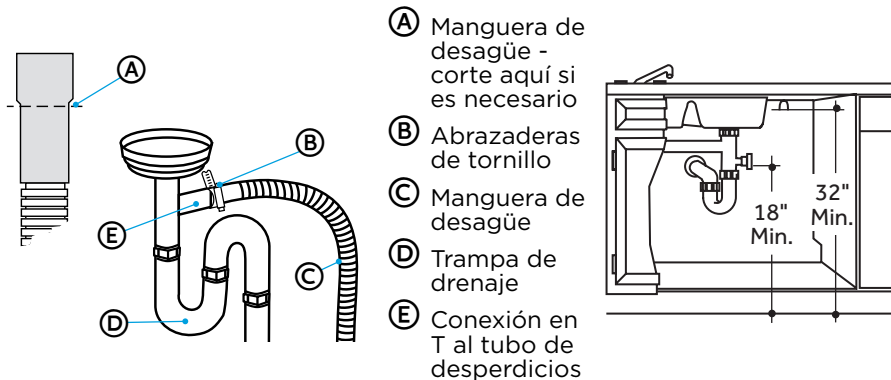
Opción 4: (sin triturador de basura - sin tubería de separación de aire):

IMPORTANTE: Si necesita cortar la manguera de desagüe para que quepa dentro del diámetro de la conexión, corte solo el extremo de goma de la manguera, según se mostró antes en esta sección (no corte la sección rugosa).

1. Conecte la manguera de desagüe a la conexión en T al tubo de desperdicios con una abrazaderas de tornillo de 1½ in a 2 in (3,8 a 5 cm)*.

NOTAS:

- Esta conexión debe ubicarse antes de la trampa de drenaje y al menos 20 in (50,8 cm) por encima del suelo donde se instalará el lavavajillas.
- Se recomienda atar la manguera de desagüe y sujetarla firmemente a la parte inferior de la encimera, a una altura mínima de 32 in (81,3 cm).



*Piezas disponibles en tiendas locales de suministros de plomería.

MONTAJE DEL LAVAVAJILLAS

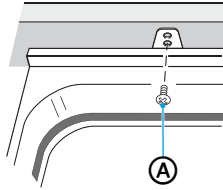
Para montar el lavavajillas a la encimera (Método 1) o el gabinete (Método 2), siga las instrucciones para el método específico de su instalación.

Método 1: instalación en encimera

Fije el lavavajillas a la encimera utilizando los dos soportes de montaje instalados en la parte superior del lavavajillas.

1. Abra el lavavajillas, quite la rejilla inferior para vajilla, y coloque una toalla sobre los filtros, ubicados en el fondo de la tina, para evitar que caigan sedimentos dentro del sistema de bomba.
2. Verifique que el lavavajillas esté nivelado y centrado de lado a lado en la abertura, para no interferir con los gabinetes adyacentes al abrir o cerrar la puerta.
3. Verifique que el reborde de la tina se alinee con la cara frontal del bastidor del gabinete.

- Utilizando dos tornillos Phillips (provistos), fije los dos soportes de montaje en la parte superior del lavavajillas a la parte inferior de la encimera.



A Destornillador plano Phillips nro. 8 x $\frac{3}{8}$ in (1,6 cm)

- Abra la puerta unas 3 in (7,6 cm) y verifique que el espacio entre la puerta interior y la tina sea igual en ambos lados.
- Si el espacio no es igual, afloje los tornillos de los soportes de montaje y mueva la tina. Vuelva a ajustar los tornillos de la escuadra.
- Verifique que la parte superior de la puerta no toque los tornillos, soportes de montaje ni la encimera. Si lo hace, debe bajar y volver a nivelar el lavavajillas. Consulte la sección de “Nivelación del lavavajillas”.

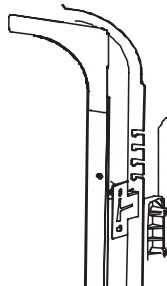
NOTAS

- Ajuste los tornillos en forma recta y alineada. Si las cabezas de los tornillos sobresalen, rallarán la parte superior del panel de control, y pueden interferir con el cierre de la puerta.
 - Si el espacio no es igual, afloje los tornillos de la escuadra y mueva la tina. Vuelva a ajustar los tornillos de la escuadra.
- Quite la toalla del lavavajillas.
 - Coloque nuevamente la rejilla inferior para vajilla.

Método 2: instalación en gabinetes adyacentes

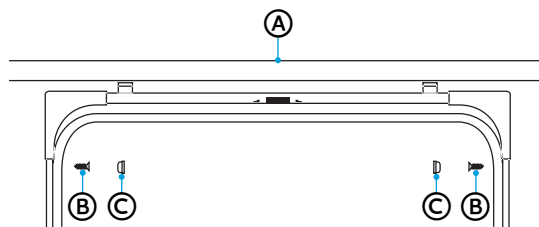
Fije el lavavajillas a los gabinetes adyacentes utilizando las escuadras laterales.

- Abra el lavavajillas, quite la rejilla inferior para vajilla, y coloque una toalla sobre los filtros, ubicados en el fondo de la tina, para evitar que caigan sedimentos dentro del sistema de bomba.
- Inserte un soporte de montaje en la ranura (una en cada lado) del lavavajillas.



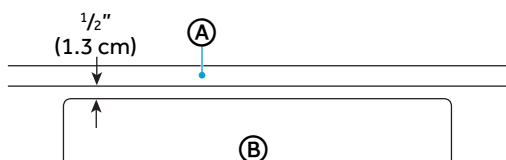
- Abra la puerta del lavavajillas. Utilizando un destornillador plano o una herramienta para hacer palanca, quite las cubiertas del orificio (una de cada lado).

4. Inserte los tornillos a través de la escuadra lateral del lavavajillas y hacia el gabinete adyacente en cada lado.
5. Vuelva a colocar las cubiertas del orificio.



- (A) Encimera de granito
- (B) Tornillo
- (C) Cubierta de orificio

6. Cierre la puerta del lavavajillas y verifique que la distancia entre la encimera y la parte superior de la puerta del lavavajillas sea de al menos $\frac{1}{4}$ in (0,64 cm).



- (A) Encimera
- (B) Puerta del lavavajillas

7. Quite la toalla del lavavajillas.
8. Coloque nuevamente la rejilla inferior para vajilla.

LISTA DE VERIFICACIÓN ANTES DE PROBAR EL LAVAVAJILLAS

1. Verifique que el electrodoméstico esté en OFF (Apagado).
2. Verifique la apertura y el cierre de la puerta. Si la puerta no se abre o cierra libremente y tiende a caerse, verifique los ajustes de los resortes. Consulte la sección “Verificación del equilibrio de la puerta”.
3. Verifique que el cableado esté firme debajo del lavavajillas, que no esté estrangulado ni que toque los resortes de la puerta u otros componentes. Consulte la sección de “Posicionamiento de la línea de agua y el cableado doméstico”.
4. Verifique que la puerta se alinee con la tina. Si la puerta golpea la tina, nivele el lavavajillas. Consulte la sección de “Nivelación del lavavajillas”.
5. Jale de la rejilla inferior, aproximadamente hasta la mitad. Verifique que la rejilla no ruede hacia atrás dentro del lavavajillas, o hacia delante, hacia la puerta. Si la rejilla se mueve, regule las patas niveladoras. Consulte la sección de “Nivelación del lavavajillas”.
6. Verifique que la puerta se alinee con el gabinete. Si la puerta golpea el gabinete, acomode o nivele el lavavajillas. Consulte la sección de “Nivelación del lavavajillas”.
7. Verifique que las líneas de suministro de agua y desagüe no estén retorcidas ni que estén en contacto con otros componentes.

8. Abra el grifo de agua caliente del fregadero y verifique la temperatura del agua. La temperatura de agua entrante debe ser entre 120 °F y 150 °F (49 °C y 65 °C). Se requiere una temperatura mínima de 120 °F (49 °C) para un rendimiento óptimo de lavado.
9. Agregue 2 cuartos de galón (1,9 l) de agua al fondo del lavavajillas para lubricar la junta de la bomba.
10. Abra el suministro de agua. Verifique que no haya filtraciones. Apriete las conexiones si es necesario.
11. Quite la película protectora del panel de control y la puerta, si tienen una.

PRUEBA DEL LAVAVAJILLAS

ADVERTENCIA



Peligro de descarga eléctrica

- Lavavajillas con conexión eléctrica a tierra.
- Conecte el cable a tierra con el conector verde a tierra en la caja de conexiones.

Si la conexión es con un cable eléctrico:

- Enchufe en un tomacorriente de 3 clavijas con conexión a tierra.
- No use un adaptador.
- No quite la clavija de conexión a tierra del enchufe del cable eléctrico.
- No utilice un alargador.
- El incumplimiento de estas instrucciones puede provocar la muerte, incendios o descargas eléctricas.

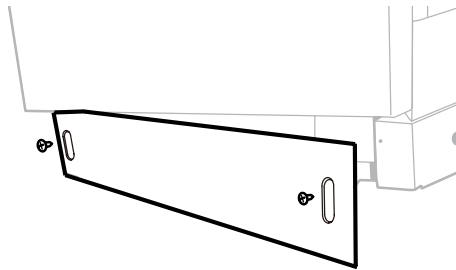
- Si utiliza un cable directo, encienda la alimentación en la fuente.
- Si utiliza un cable eléctrico, enchufe el cable en un tomacorriente de 3 clavijas con conexión a tierra. Asegúrese de que el cable eléctrico no toque el motor ni la parte inferior de la tina del lavavajillas, y luego encienda la alimentación en la fuente.

1. Realice la conexión a la fuente de alimentación.
2. En el panel de control, presione los controles necesarios para activar el ciclo más corto. Consulte el Manual de usuario para ver las instrucciones.
3. Cierre firmemente la puerta del lavavajillas dentro de los 4 segundos posteriores a pulsar START (Inicio).
4. Luego de los primeros 2 minutos, abra la puerta. Verifique si hay agua en el fondo de la tina del lavavajillas. Si no ha ingresado agua al lavavajillas, verifique que el suministro de agua y la alimentación eléctrica estén encendidos.

5. Verifique que no haya filtraciones bajo el lavavajillas. Si encuentra una filtración, apague la alimentación y cierre el suministro de agua, y luego, ajuste las conexiones. Reconecte la alimentación y el suministro luego de arreglar la filtración.
6. Verifique que no haya filtraciones alrededor de la puerta. Las filtraciones alrededor de la puerta pueden ocurrir debido a roces o golpes contra los gabinetes adyacentes. Vuelva a acomodar el lavavajillas si es necesario.
7. Durante el drenaje del lavavajillas, verifique las líneas de desagüe. Si encuentra filtraciones, apague el electrodoméstico desde el disyuntor y ajuste la plomería según sea necesario. Vuelva a encender el electrodoméstico luego de realizar los ajustes.
8. Abra la puerta del lavavajillas y asegúrese de que la mayoría del agua se haya drenado. En caso contrario, verifique que se haya quitado la tapa del triturador y que la tubería de separación de aire esté conectada. Asimismo, verifique que la línea de desagüe no esté retorcida.
9. Ejecute otro ciclo de llenado y drenaje del lavavajillas. Verifique que no haya filtraciones y realice los ajustes necesarios.

RECOLOCACIÓN DE LA PLACA PROTECTORA

1. Coloque la placa protectora contra las patas del lavavajillas. Las ranuras de la placa protectora deberían alinearse con los orificios de los tornillos en la escuadra. Permita que el borde inferior de la placa protectora toque el suelo.
2. Utilizando tornillos (provistos), sujete la placa protectora al lavavajillas.





make yourself at home